

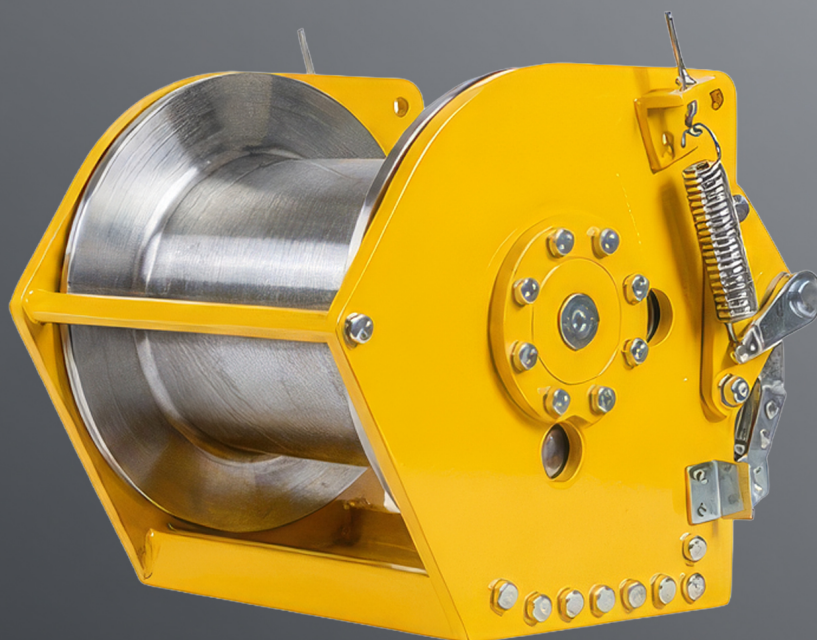
Bumeks Gear Industry
Mainline Hoist



BUMEKS®
GEAR INDUSTRY

BMC DRILL

MAINLINE HOIST WINCH



BMC.3719004004

CS14



Shift to Higher GEAR

BUMEKS®
GEAR INDUSTRY

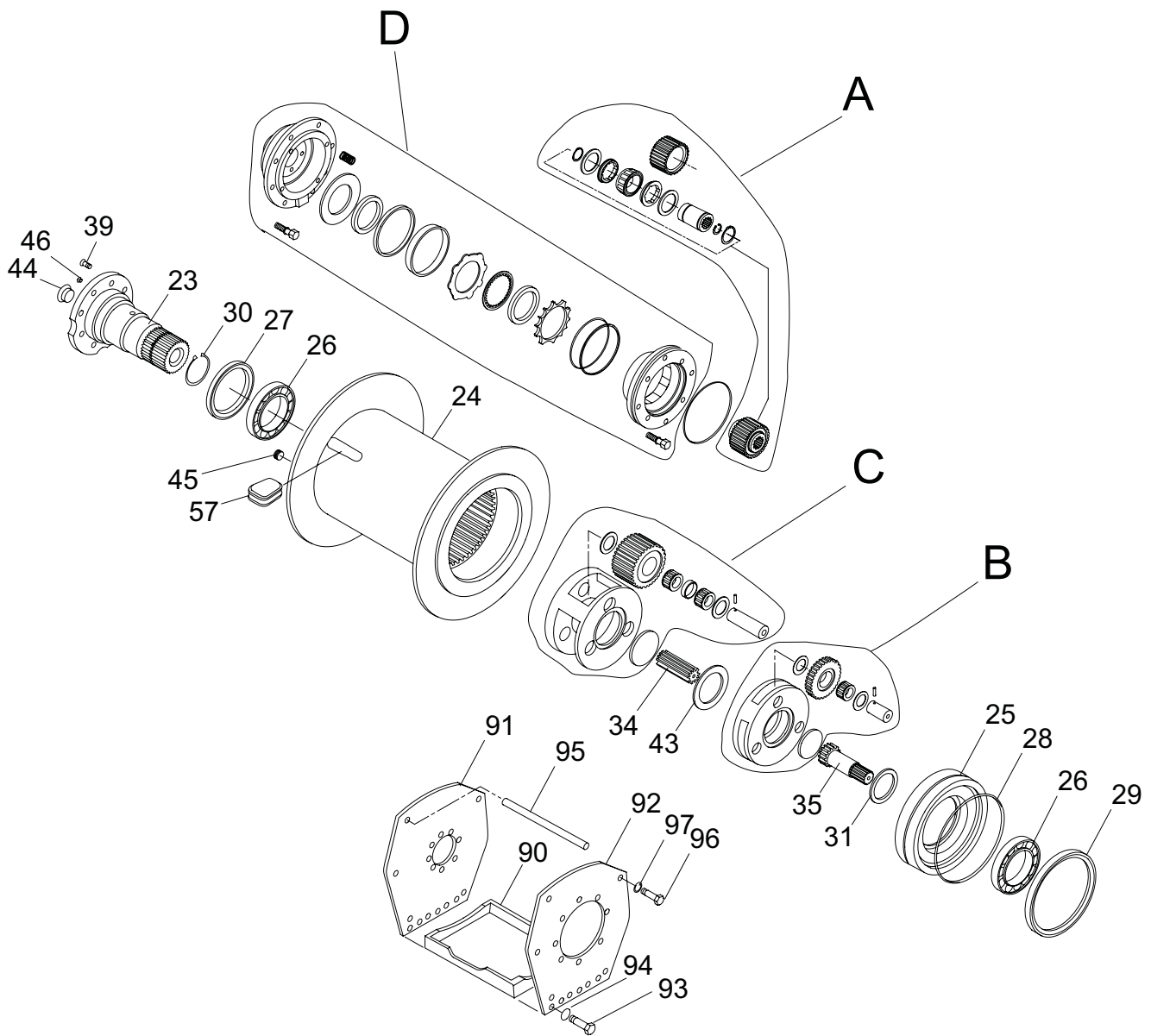




BUMEKS®
GEAR INDUSTRY

MAINLINE HOIST

BMC.3719 0040 04 HOIST





BUMEKS[®]
GEAR INDUSTRY

MAINLINE HOIST

BMC.3719 0040 04 HOIST

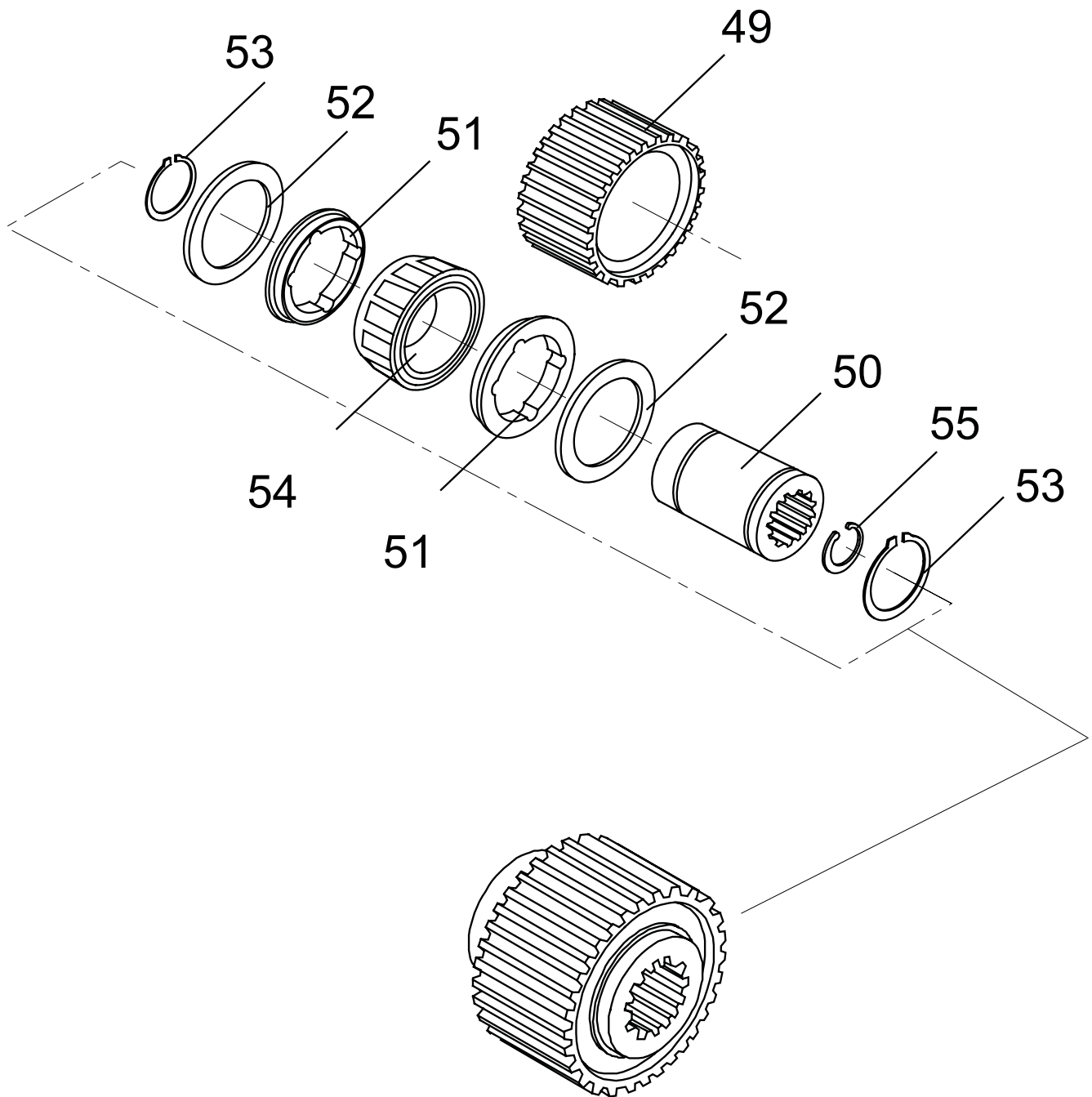
Ref. No.	Part No.	Cross ref No.	Qty.	Description	Notes
A	3719 0046 40	81776	1	SPRAG CLUTCH ASSY-C SHAFT UWCD	(B)
B	3719 0046 41	82342	1	PRIMARY PLANET CARRIER ASSY	(B)
C	3719 0046 42	81845	1	PLANET CARRIER ASSY	(B)
D	3719 0046 44	82266	1	BRAKE CYLINDER ASSY-4 BOLT C	(B)
			1	TENSION ROLLER PARTS ASSEMBLY	(B)
			1	HYD MOTOR GROUP PM	(B)
23		106459	1	BEARING SUPPORT	
24		26464	1	CABLE DRUM	
25		27866	1	CABLE DRUM CLOSURE	
26	3719 0046 68		2	BALL BEARING	
27		24109	1	OIL SEAL	
28		76208	1	O-RING	
29		22818	1	SEAL-OIL	
30		70575	1	RETAINING RING, EXTERNAL	
31		40128	1	THRUST WASHER	
34		100854	1	OUTPUT SUN GEAR	
35		26479	1	PRIMARY SUN GEAR	
43		40129	1	THRUST WASHER	
44	3719 0046 69		1	SIGHT GAUGE	
45	3719 0046 70		1	PLUG, O-RING FLUSH	
46	3719 0046 71		1	RELIEF VALVE 7.5-15 PSI	
57	3719 0029 48		1	CABLE WEDGE	
90		106526	1	BASE	
91		106521	1	SIDEPLATE, SUPPORT	
92		106520	1	SIDEPLATE, MOTOR	
93		103314	16	CAP SCREW	
94		12781	16	LOCKWASHER	
95		26223	2	SPACER	
96		13913	4	CAP SCREW	
97		11026	4	LOCK WASHER	
-	3719 0040 25	61715	1	UNIVERSEL SEAL K.PD12C & PD15B	
		24109	1	OIL SEAL	
		21033	1	O-RING	
		22818	1	SEAL-OIL	
		10330	1	O-RING	
		25642	1	SEAL-OIL	
		24981	1	O-RING	
		25643	1	SEAL	
		13838	1	O-RING	
		12465	2	BACK-UP RING	
		25366	2	O-RING	
		78312	2	O-RING	
		22586	1	O-RING	
		26754	1	O-RING	
		21150	1	O-RING	
		21063	1	O-RING	
		76208	1	SEAL KIT NOTE	
		23950	1	O-RING	
		24186	1	O-RING	
		72117	1	O-RING	
-	3719 0029 22		1	O-RING	
				O-RING	
				O-RING	
				MAIN HOIST CABLE	



BUMEKS®
GEAR INDUSTRY

MAINLINE HOIST

BMC.3719 0046 40 HOIST





BUMEKS®
GEAR INDUSTRY

MAINLINE HOIST

BMC.3719 0046 40 HOIST

Ref. No.	Part No.	Cross ref No.	Qty.	Description	Notes
	54	NSS	1	SPRAG CLUTCH	
	49	NSS	1	OUTER BRAKE RACE	
	50	NSS	1	INNER BRAKE RACE	
*	51	3719 0046 55	2	SPRAG, BEARING	
*	52	3719 0046 56	2	THRUST, BEARING	
*	53	3719 0046 57	2	SNAP RING	
*	55	3719 0046 58	1	RETAINING RING	

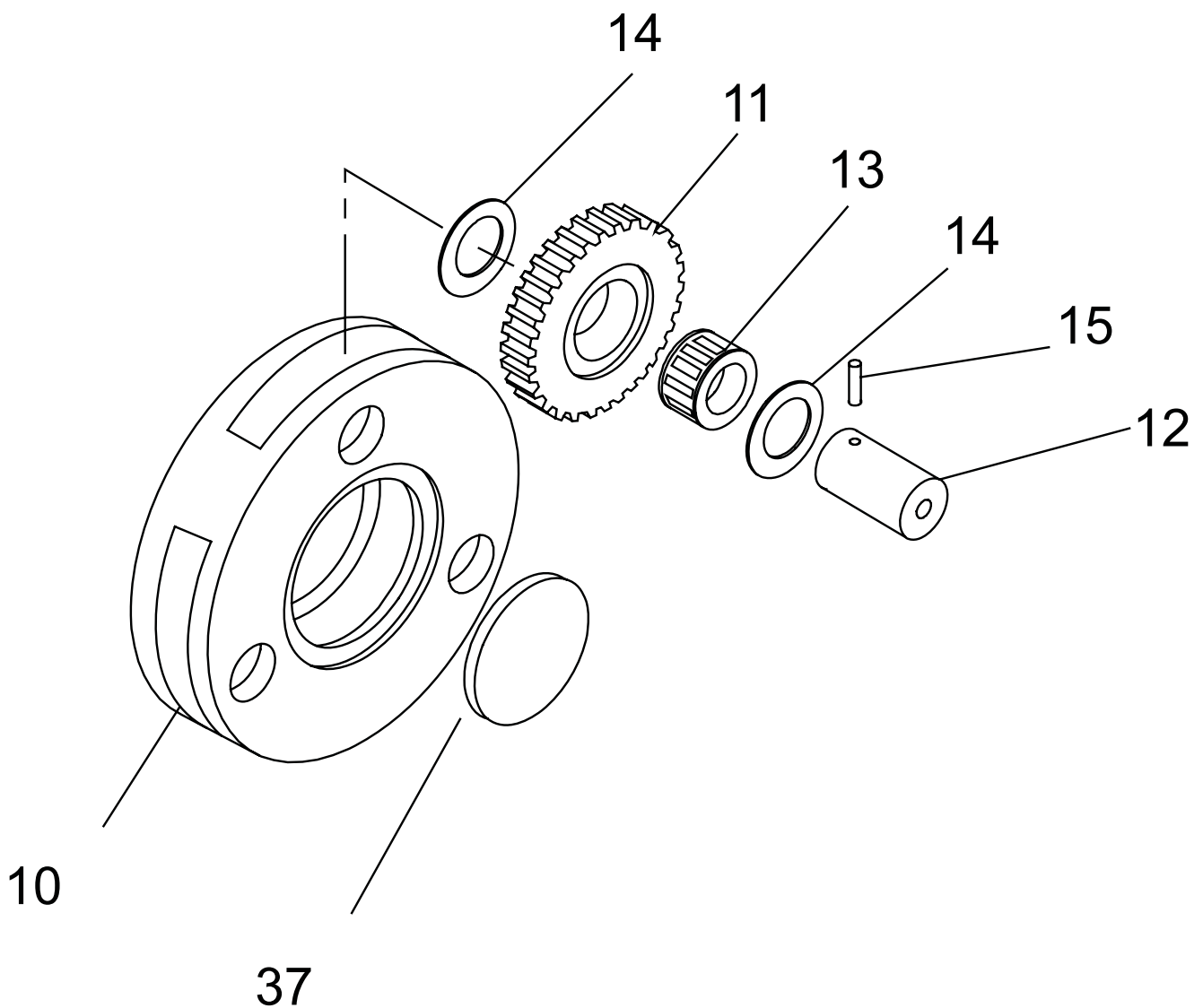
* Included in 3719 0046 40



BUMEKS®
GEAR INDUSTRY

MAINLINE HOIST

BMC.3719 0046 41 HOIST





BUMEKS®
GEAR INDUSTRY

MAINLINE HOIST

BMC.3719 0046 41 HOIST

Ref. No.	Part No.	Cross ref No.	Qty.	Description	Notes
10		100852	1	PRIMARY PLANET CARRIER	
11		26466	3	PRIMARY PLANET GEAR	
12		25614	3	PRIMARY PLANET GEAR SHAFT	
* 13	3719 0046 53	24175	3	ROLLER BEARING	
14		25361	6	BEARING RACE	
* 15	3719 0046 54	24113	3	SPIROL PIN	
37		25729	1	PRIMARY SPACER	

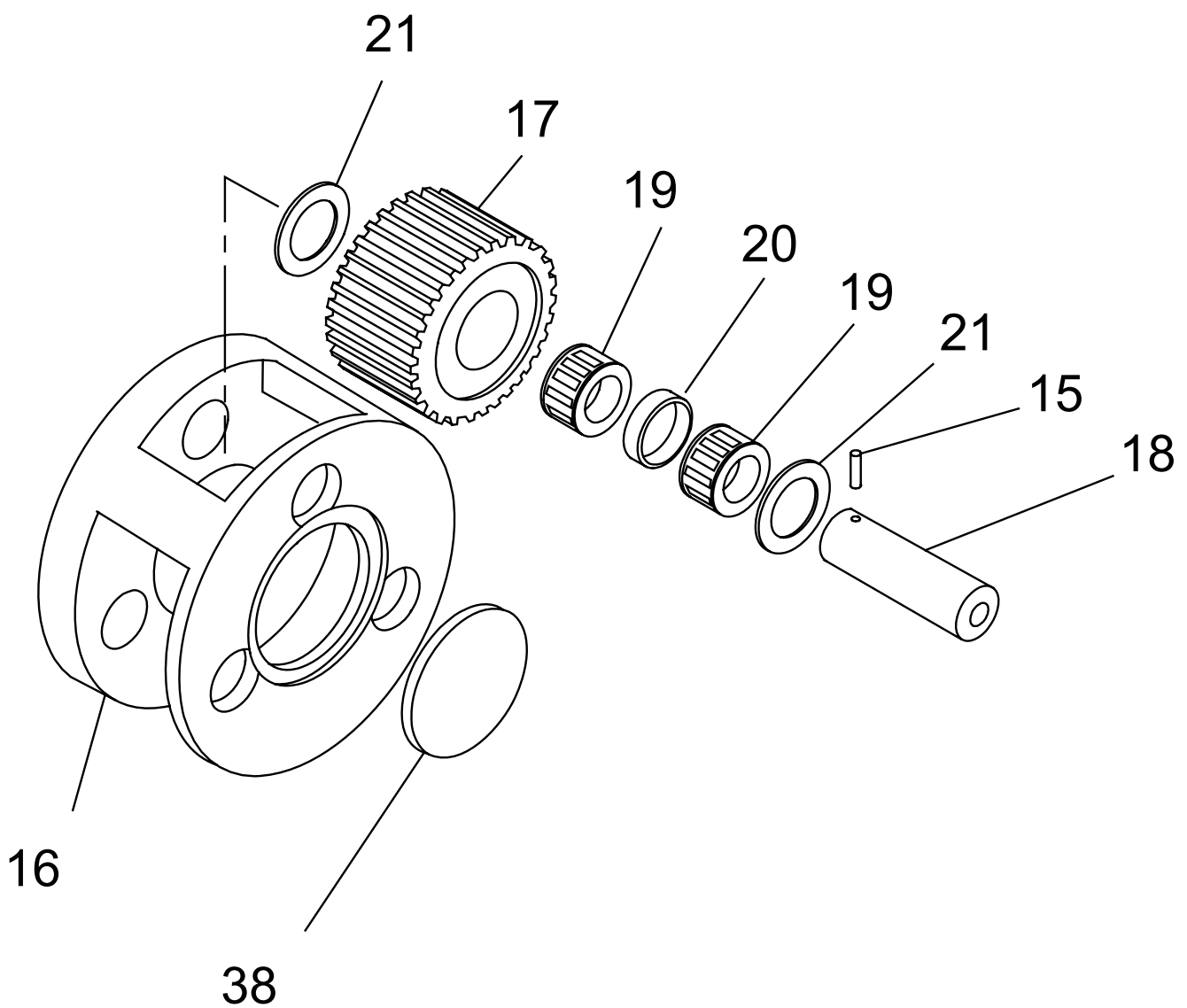
* Included in 3719 0046 41



BUMEKS®
GEAR INDUSTRY

MAINLINE HOIST

BMC.3719 0046 42 HOIST





BUMEKS®
GEAR INDUSTRY

MAINLINE HOIST

BMC.3719 0046 42 HOIST

Ref. No.	Part No.	Cross ref No.	Qty.	Description	Notes
16		25602	1	PLANET CARRIER	
17		26467	3	PLANET GEAR *	
18		25613	3	PLANET GEAR SHAFT *	
* 19	3719 0046 60	25292	6	ROLLER BEARING	
20		25443	3	BEARING SPACER	
21		24306	6	THRUST WASHER	
* 15	3719 0046 59	23584	3	PIN-SPIROL	
38		25638	1	SPACER, OUTPUT	

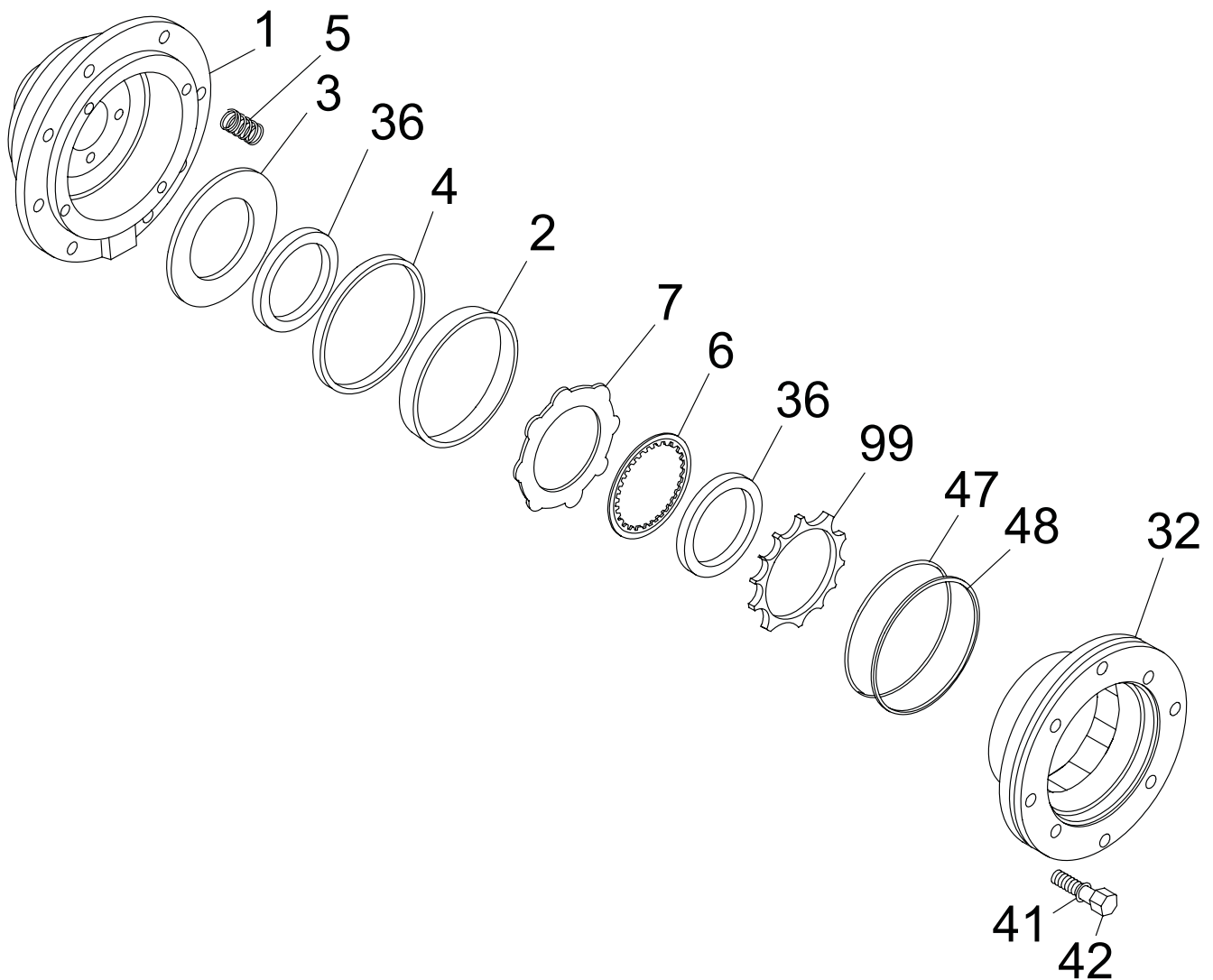
* Included in 3719 0046 42



BUMEKS®
GEAR INDUSTRY

MAINLINE HOIST

BMC.3719 0046 44 HOIST





MAINLINE HOIST

BMC.3719 0046 44 HOIST

Ref. No.	Part No.	Cross ref No.	Qty.	Description	Notes
1		100035	1	BRAKE CYLINDER	
2		25642	1	SEAL	
3		25635	1	PRESSURE PLATE STAMPING	
4		25636	1	PISTON BACKUP RING	
* 5	3719 0046 65	25644	12	DIE SPRING	
* 6	3719 0046 66	21036	7	850170 DISC-FRICTION	
* 7	3719 0046 67	100027	8	BRAKE DISK	
32		100028	1	MOTOR SUPPORT	
36		25637	1	SPACER	
41		11026	4	LOCKWASHER	
42		29855	4	CAPSCREW	
47		24981	1	O-RING	
48		25643	1	BACK-UP RING	
99		100200	1	SPRING SPACER	

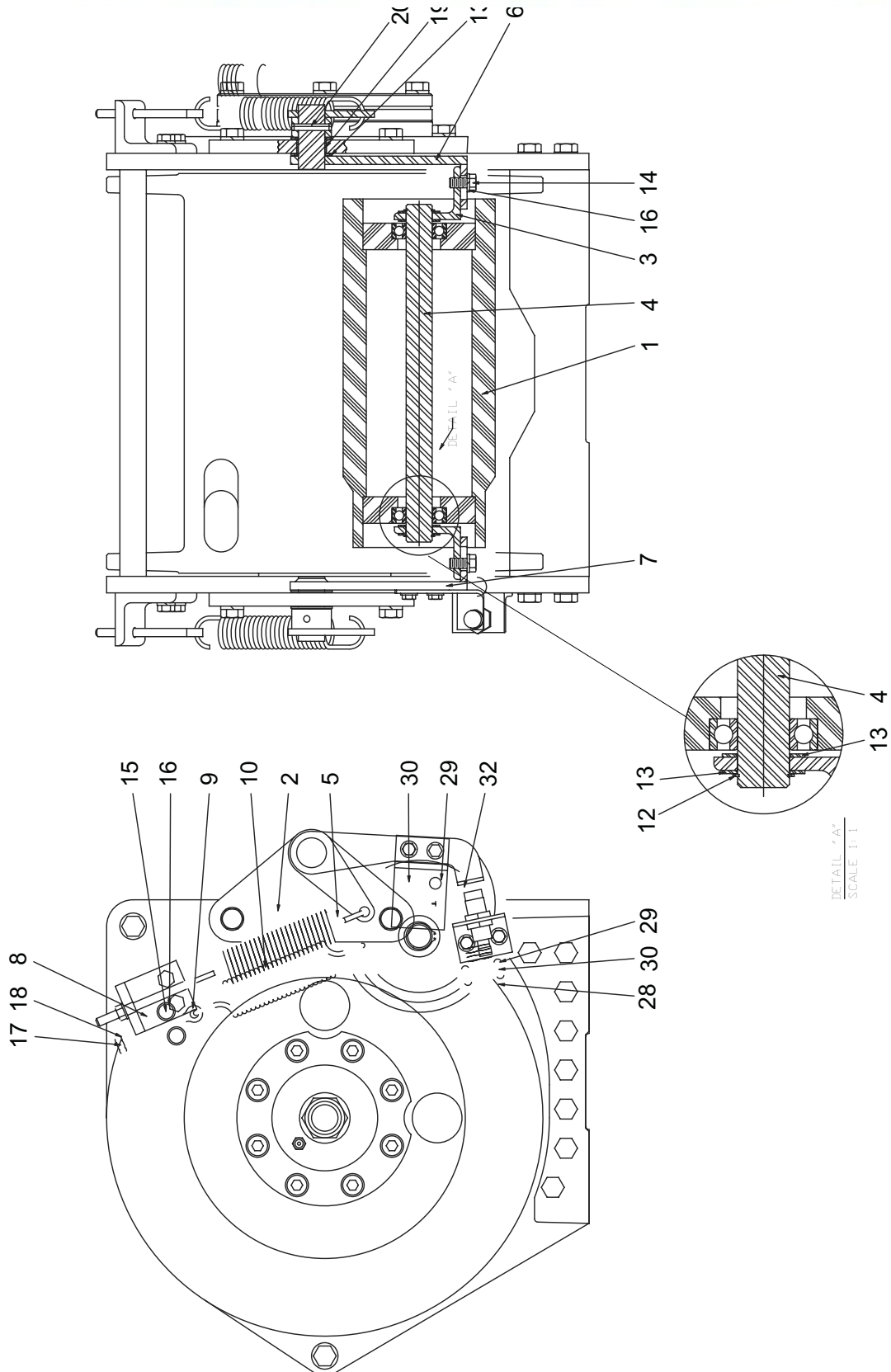
* Included in 3719 0046 44



BUMEKS®
GEAR INDUSTRY

MAINLINE HOIST

BMC.3719 0040 21 HOIST





BUMEKS®
GEAR INDUSTRY

MAINLINE HOIST

BMC.3719 0040 21 HOIST

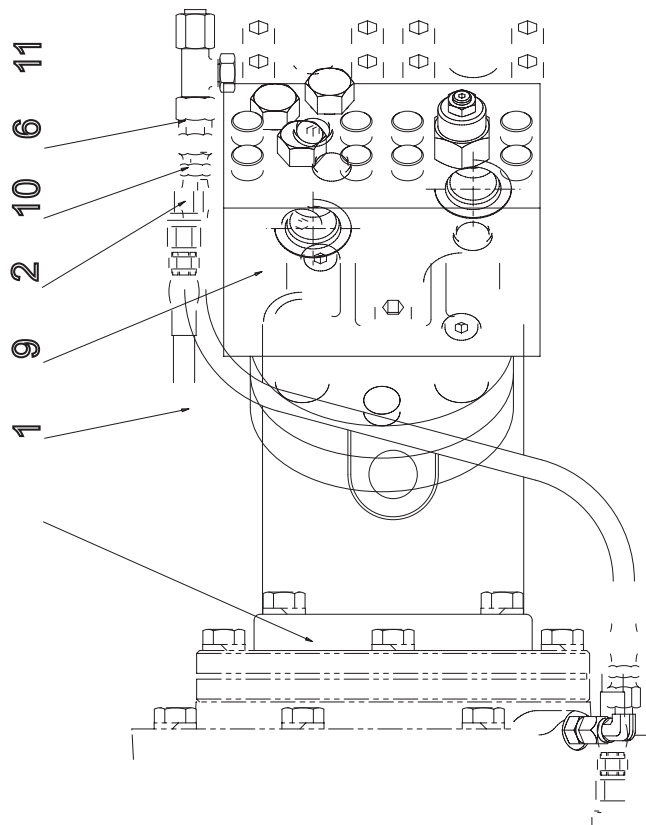
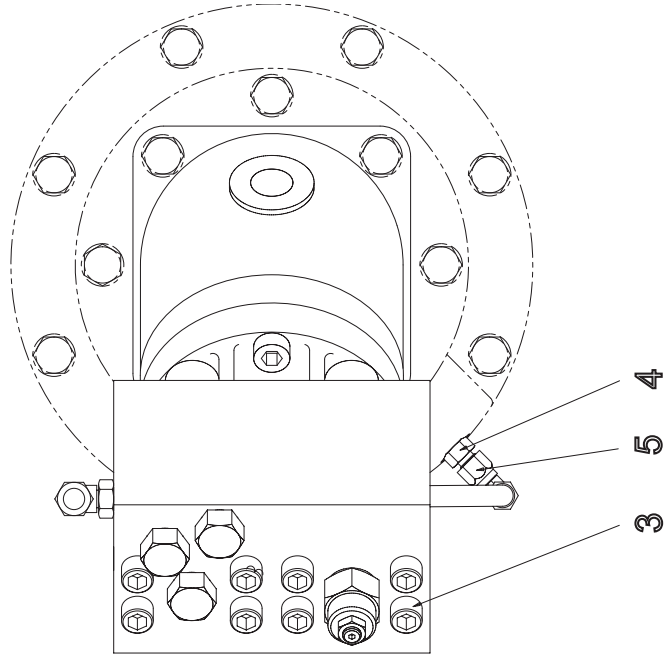
Ref. No.	Part No.	Cross ref No.	Qty.	Description	Notes
1	3719 0046 47	106522	1	ROLLER *	
2		102043	2	ROLLER PLATE	
3		106315	2	BRACKET, ROLLER	
4	3719 0046 48	106528	1	SHAFT, ROLLER	
5		102046	2	LEVER	
6		102047	1	ROLLER LEVER, RH	
7		106434	1	ROLLER LEVER, LH	
8		102055	2	BRACKET, ROLLER	
9	3719 0046 49	101726	2	ROD END, ROLLER	
10	3719 0046 50	101724	2	SPRING, ROLLER	
12		11953	2	1941004 SNAP RING	
13	3719 0046 51	25361	8	BEARING RACE	
14		13796	4	CAPSCREW	
15		104309	4	CAPSCREW	
16		27152	8	LOCKWASHER	
17		23558	2	NUT-ELASTIC	
18		13873	2	WASHER *	
19	3719 0046 52	22533	2	BUSHING	
20		18055	2	ROLLPIN	
28		106529	1	SENSOR BRACKET	
29		11072	4	WASHER	
30		104301	4	CAPSCREW	
32		106341	1	SWITCH BRACKET	



BUMEKS[®]
GEAR INDUSTRY

MAINLINE HOIST

BMC.3719 0046 72 HOIST





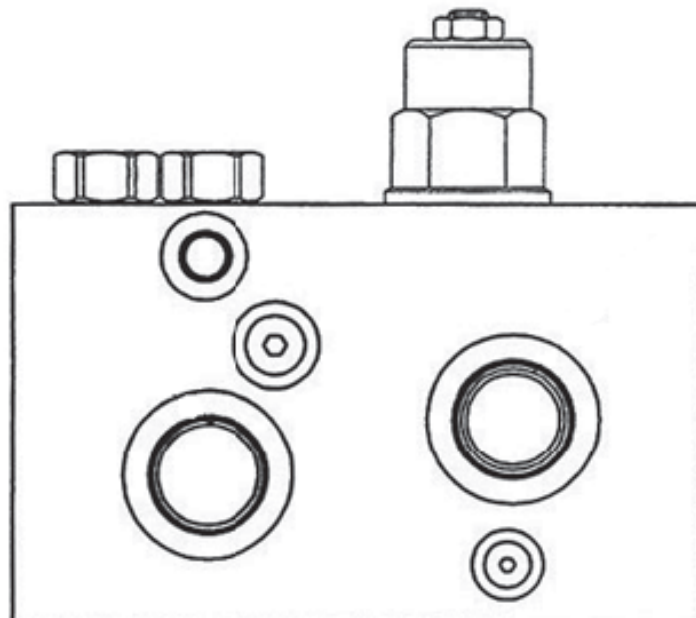
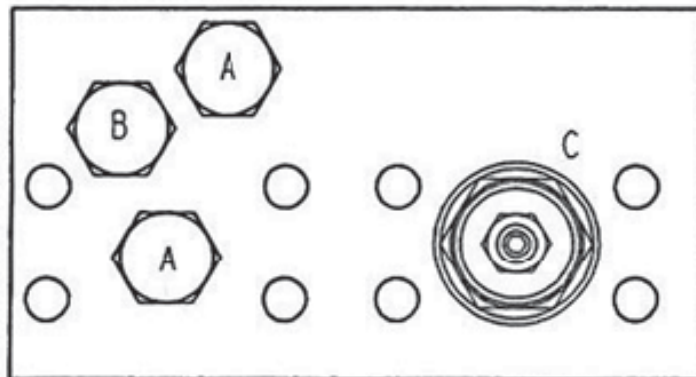
BUMEKs[®]
GEAR INDUSTRY

MAINLINE HOIST

BMC.3719 0046 72 HOIST

Ref. No.	Part No.	Cross ref No.	Qty.	Description	Notes
A	3719 0046 62		2	CHECK VALVE	PACKING KIT D
B	3719 0046 63		1	SHUTTLE VALVE	PACKING KIT D
C	3719 0046 64		1	COUNTER BALANCE VALVE	PACKING KIT E
D	3742 0655 90		1	PACKING KIT PPDB VALVE	
E	5540 2948 00		1	PACKING KIT	
1	3719 0040 23		1	HYDRAULIC MOTOR, 80CC	*
9	3719 0046 61		1	HOSE ASSY	

* Conversion kit for Rexroth to Parker motor 3719 0040 98






This brochure contains general information and pictures about BUMEKS GEAR CO.LTD. and its products. They might be subject to change and modification. Bumeks Gear reserves the right to change specifications and design of its products without notice. While Bumeks Gear products are of high quality, they are not originals. Bumeks Gear doesn't have any affiliation to OEM companies and brands described in this brochure. All the OEM numbers and trademark names are used for reference purposes only and belong to their respective owners.




BUMEKS®

BMC DRILL



Büyükkayacık Osb Mah. 407 Nolu sk. No : 4 Selçuklu / Konya

 +90 505 039 45 67

 eng/esp : sales3@bumeks.com.tr

 +90 505 911 21 42

 русский : sales2@bumeks.com.tr

 www.bumeks.com.tr  info@bmcd drill.com