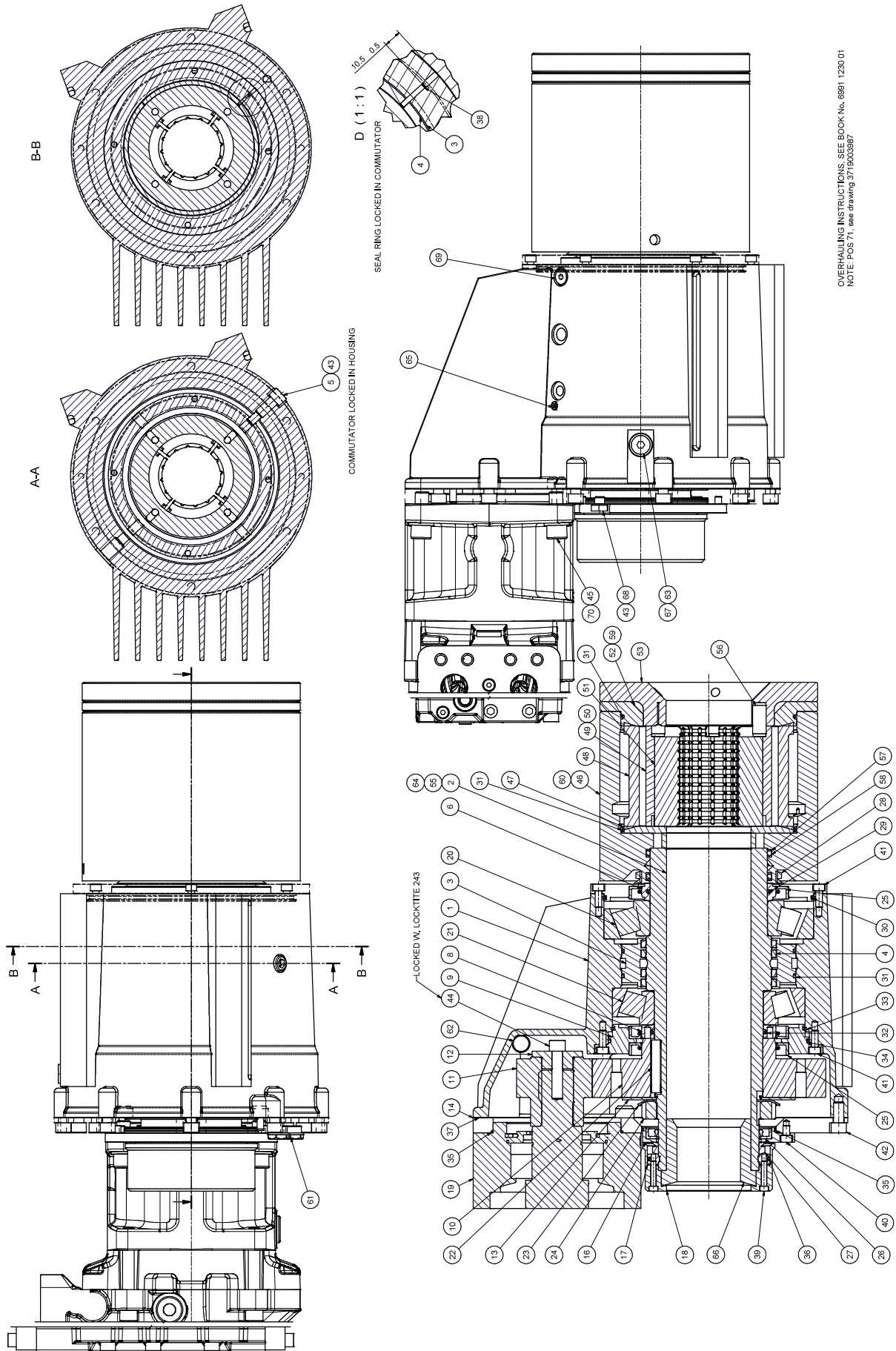


Rotation unit

Rot.Unit HCC, basic 160cc

3719 0041 23



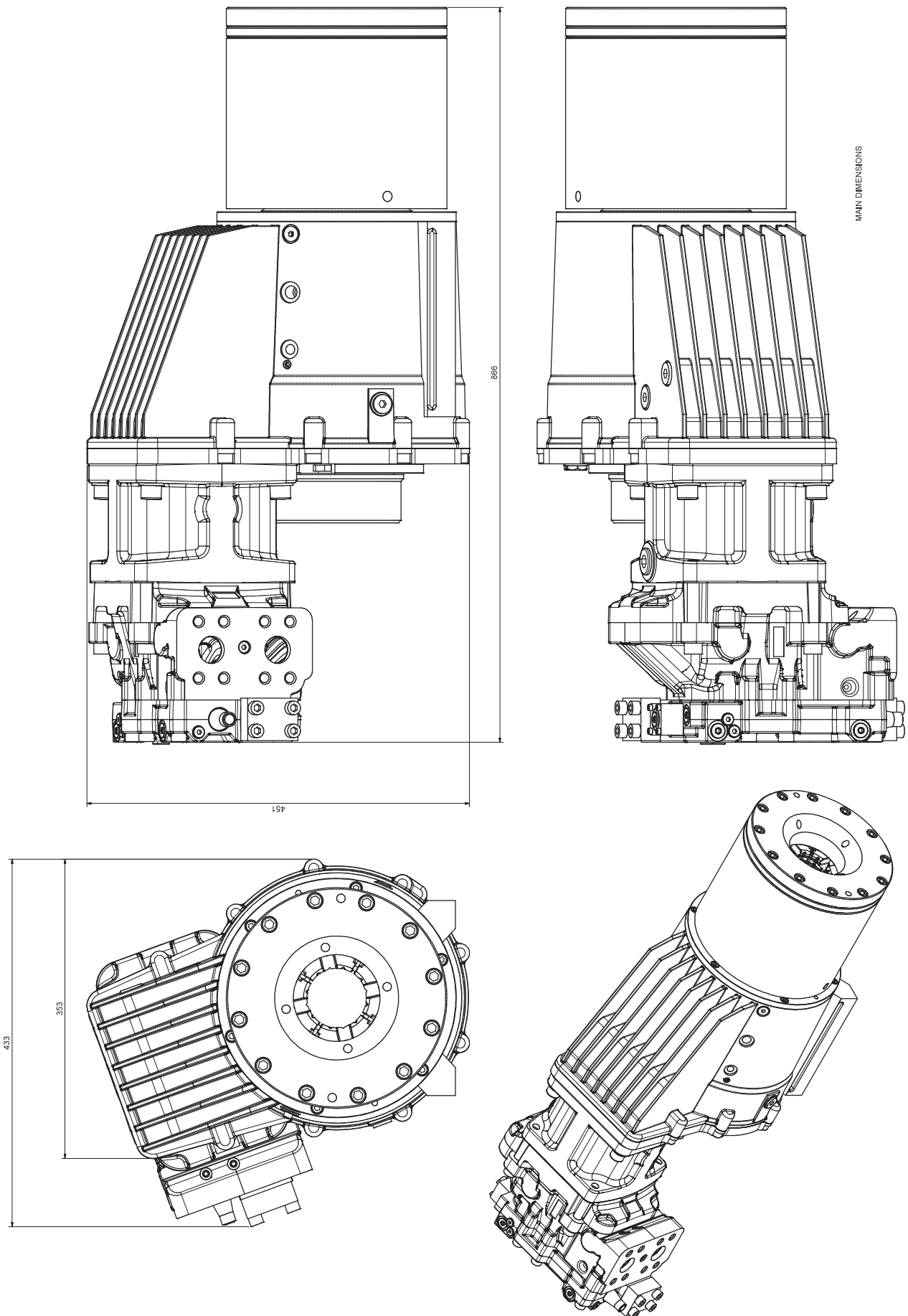
OVERHAULING INSTRUCTIONS. SEE BOOK No. 6991 1230 01
NOTE: POS 71, see drawing 3719003967

3719 0041 23				
Pos. No.	Part number	Quantity	Description	Remark
1	3719 0061 13	1	Housing B-H	
2	3719 0001 25	1	Shaft	
3	3719 0001 27	1	Seal housing B-H	
4	3719 0015 21	4	Seal ring	B-H ROTATION
5	3719 0000 14	1	Locking screw	
6	3719 0001 29	1	Spacer ring	
7	3719 0001 28	0	Front flange	
8	3719 0001 30	1	Rear spacer ring	
9	3719 0001 33	1	Inner flange	
10	3719 0001 35	1	Gear wheel	
11	3719 0007 38	1	Pinion	160cc
12	3719 0008 04	1	Washer	
13	3719 0002 40	1	Indicator disc	
14	3719 0000 43	1	Gasket	
15	3719 0006 39	0	Cover	160cc
16	3719 0006 51	1	Rear flange	160cc
17	3719 0001 32	2	Locking ring	
18	3719 0001 34	1	Guide cover	
19	3719 0002 77	1	Hydraulic motor, 160CC U8 V14	Variable, min displacement 63CC
20	0509 0121 22	1	Bearing	
21	0509 0121 21	1	Bearing	
22	0337 8349 00	1	Parallel key	20 x 12 x 65, TYPE A
23	0333 6136 01	1	Lock washer	MB-25
24	0295 3136 08	1	Lock nut	KM-25
25	0666 6000 46	3	Seal	TRU001600 160,0 X 190,0 X 15,0
26	0666 6000 25	1	Seal	TRU001200 120,0 X 150,0 X 12,0
27	0666 8000 26	1	Seal	V-120S
28	0666 8000 00	1	Seal	V-160S
29	0663 2111 72	1	O-ring	139,29 x 3,53
30	0663 2111 62	1	O-ring	240,89 x 3,53; NBR 70 Shore
31	0663 2111 71	4	O-ring	196,44 x 3,53
32	0663 2111 60	1	O-ring	129,77 x 3,53; NBR 70 Shore
33	0663 2111 61	1	O-ring	221,84 x 3,53; NBR 70 Shore
34	0663 2100 30	1	O-ring	228,19 x 3,53, NBR 70 Shore
35	0663 2108 97	2	O-ring	152.07 X 2.62 NBR 70 Shore
36	0663 6152 00	1	O-ring	139.5 x 3
37	0101 1364 00	2	Parallel pin	8 x 30 H6
38	0102 0951 25	4	Parallel pin	3 x 18 ISO A2
39	0211 1957 51	4	Cap screw	MC6S 6 x 40 10.9
40	0211 1320 03	5	Cap screw	MC6S 8 x 12 8.8 Helgängad
41	0211 1957 56	12	Cap screw	MC6S 8 x 20 10.9 Din 912
42	0211 1400 03	11	Cap screw	MC6S 12 x 25 8.8 HELGÄNGAD
43	0661 1005 00	2	Seal washer	TREDO 112
44	0211 5367 00	1	Cap screw	1/2"UNC x 51
45	0211 1477 00	4	Cap screw	MC6S 16 x 4 0 - 12.9
46	3719 0004 57	1	Chuck housing	

Rotation unit

Rot.Unit HCC, basic 160cc

3719 0041 23



3719 0041 23				
Pos. No.	Part number	Quantity	Description	Remark
47	3719 0004 58	1	Wear plate	
48	3716 5018 00	1	Rubber sleeve	
49	3715 9273 00	4	Jaw holder	
50	3716 5200 00	24	Spring	Dy 12.5 Di 6.3 L=76
51	3715 9347 82	0	Chuck jaw kit 44mm	DIAMEC U6 B-H
51	3715 9347 84	0	Chuck jaw kit 54mm	DIAMEC U6 B-H
51	3715 9347 87	0	Chuck jaw kit 70mm	DIAMEC U6 B-H
51	3715 9348 81	0	Chuck jaw kit 89mm	DIAMEC U6 B-H
52	3719 0004 59	1	Inner flange	
53	3716 5126 00	1	Cover	
55	3715 9032 00	4	Plug	
56	0102 0626 00	4	Parallel pin	CPK 16M6 x 40
57	0661 1573 00	2	Back-up ring	140 x 150 x 1.7 PTFE
58	0663 2155 00	2	O-ring	139.3 x 5.7 70 GR
59	0211 1957 55	4	Cap screw	MC6S 8 x 16 10.9 Din 912
60	0211 1403 03	20	Cap screw	MC6S 12 x 40 8.8
61	3719 0002 02	2	Oil indicator	
62	0686 3718 02	2	Plug	VSTI R 1/2-ED
63	3176 7868 06	1	Plug	3/4-16 UNF
64	3719 0002 03	4	Plug	
65	3719 0005 44	1	Breather plug	
66	3719 0006 68	0	Guide socket A, N-H ROT	
66	3719 0006 69	0	Guide socket B, N-H ROT	
66	3719 0006 70	0	Guide socket N, N-H ROT	
66	3719 0006 71	0	Guide socket H, N-H ROT	
67	0661 1030 00	1	Seal washer	TREDO 17
68	3719 0005 45	1	Plug	
69	0686 6442 07	1	Plug	VSTI R 1/4-ED
70	0301 2378 00	4	Washer	BRB 17 x 30 x 3
71	3719 0039 87	1	Rot unit strengthening kit	

Rotation unit

Hydraulic motor 160cc

3719 0002 77

3719 0002 77

Pos. No.	Part number	Quantity	Description	Remark
1	3719 0002 77	1	Hydraulic motor, 160CC V14	Variable, min displacement 63CC