

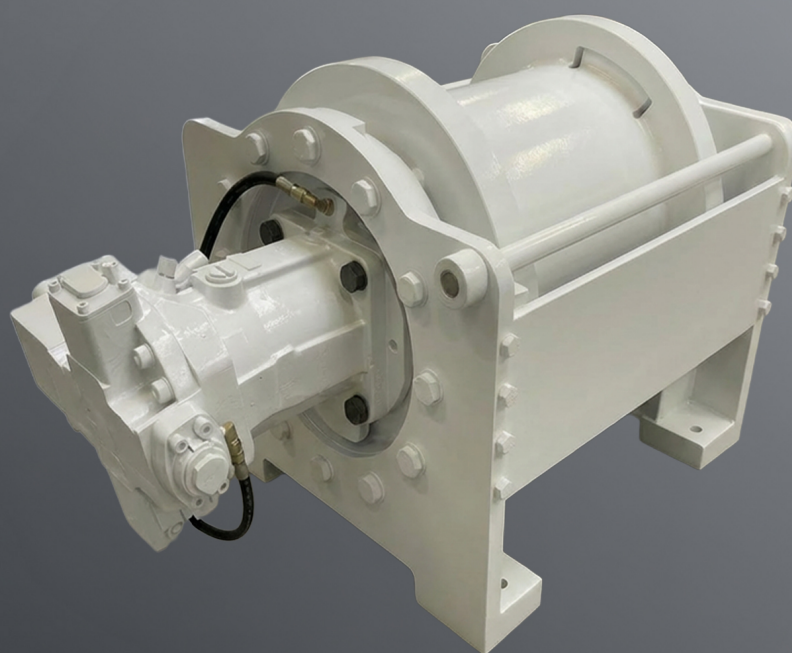
Bumeks Gear Industry
Mainline Hoist



BUMEKS®
GEAR INDUSTRY

BMC DRILL

MAINLINE HOIST WINCH



BMC.5000157

LF230



Shift to Higher GEAR

BUMEKS[®]
GEAR INDUSTRY

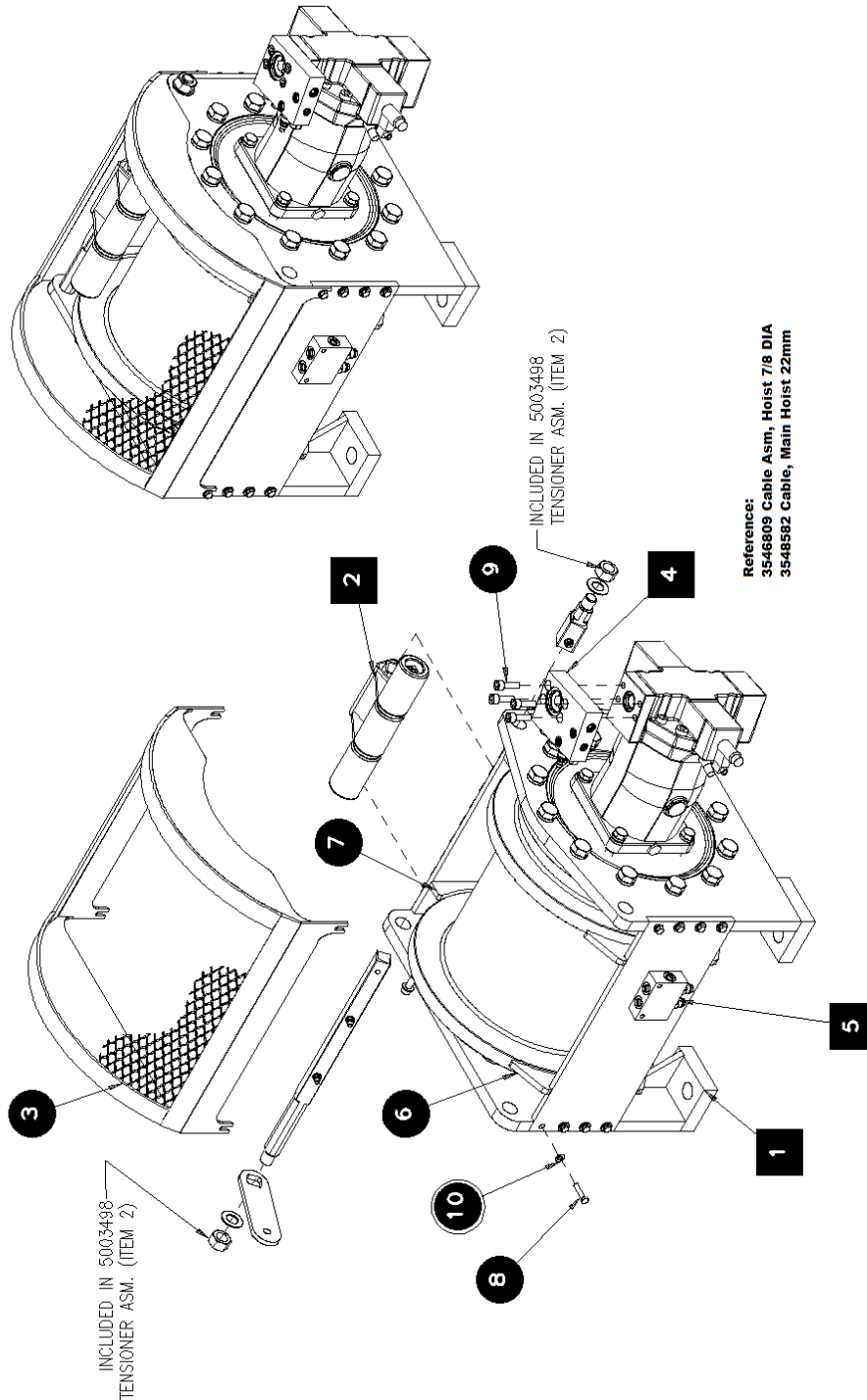




BUMEKS[®]
GEAR INDUSTRY

MAINLINE HOIST

BMC.5000157 HOIST ASM,
PLANETARY 40K





BUMEKS®
GEAR INDUSTRY

MAINLINE HOIST

BMC.5000157 HOIST ASM, PLANETARY 40K

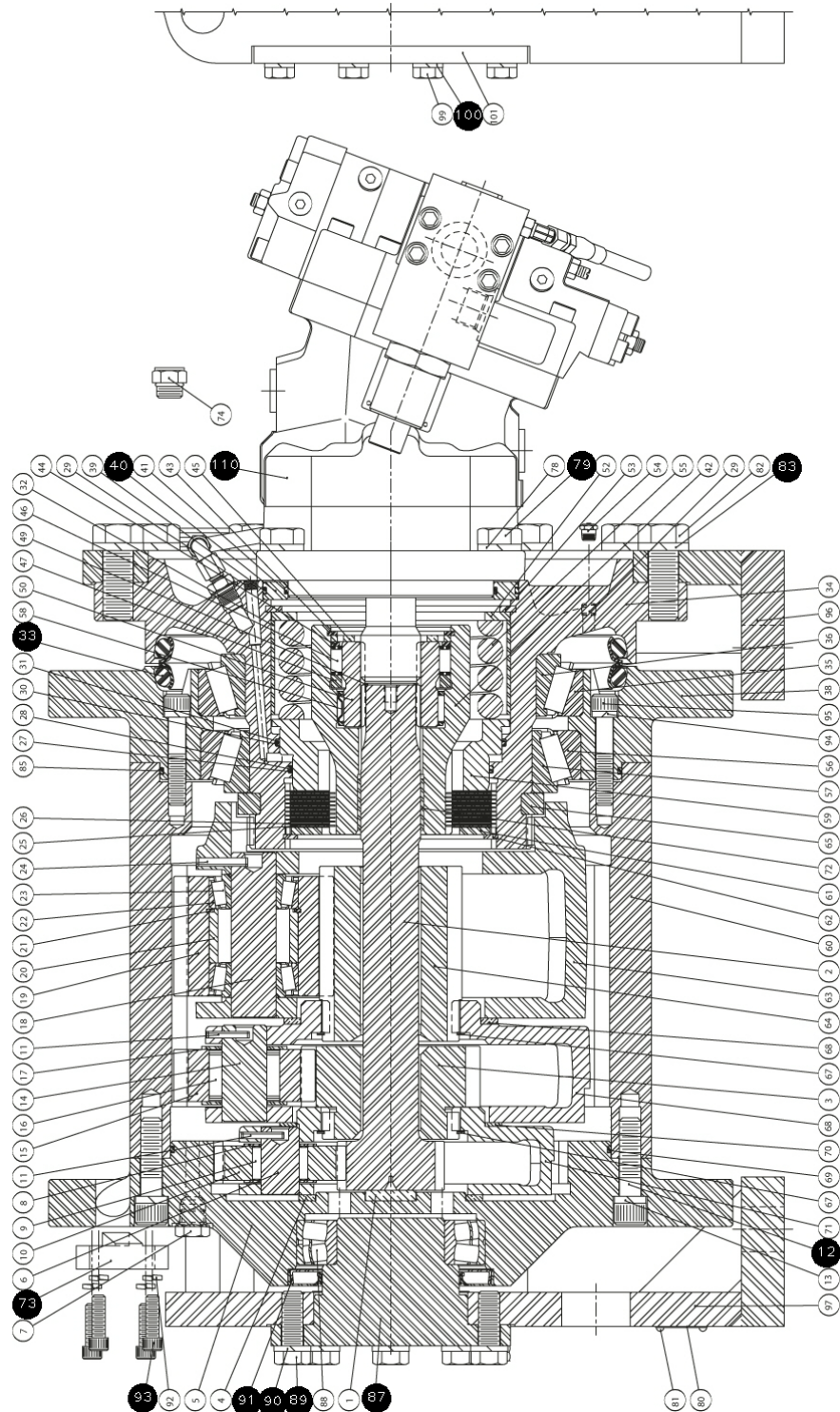
Item	Part No.	Name	Qty	Service
Ref	5000157	HOIST ASM, MAINLINE 40K LF230	1	D
1	3546045	HOIST, PLANETARY 40K (BARE)	1	C
2	5003498	TENSIONER ASM, 40K WINCH	1	C
3	5003511	GUARD, 40K HOIST	1	D
4	3547014	MANIFOLD ASM, CABLE TENSION LF230	1	C
5	3547707	VALVE, HYD DUAL COUNTERBALANCE	1	E
6	3545152	STOP PLATE, WINCH CABLE	2	D
7	5003510	STOP PLATE, HOIST CABLE	2	D
8	44536	C/SCR, HH 3/8-16 UNC x 1-1/2 G8 ZP	4	F
9	44531	C/SCR, SH 1/2-13 UNC x 1-1/2 A574 ZF	4	F
10	44859	WASHER, FLAT SAE 3/8 G8 ZP HARDENED	4	F



BUMEKS[®]
GEAR INDUSTRY

MAINLINE HOIST

BMC.3546045 HOIST, 40K
PLANETARY





BUMEKS[®]
GEAR INDUSTRY

MAINLINE HOIST

BMC.3546045 HOIST, 40K PLANETARY

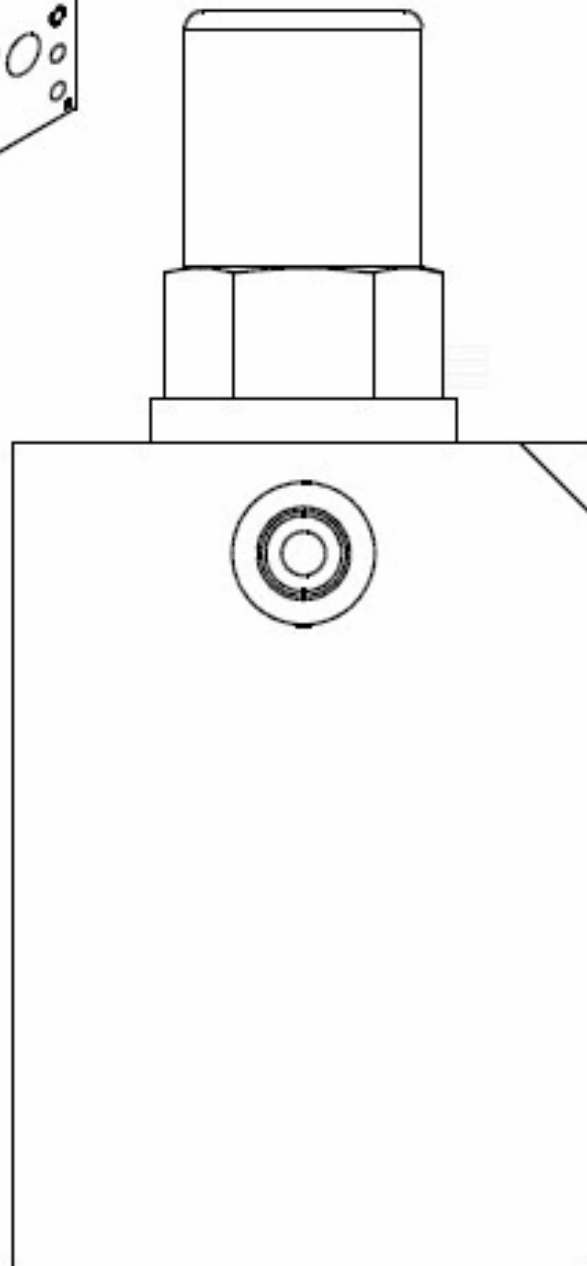
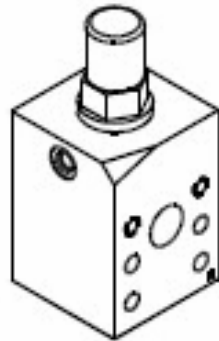
Item	Part No.	Name	Qty	Service
REF	3546045	HOIST, PLANETARY 40K (BARE)	1	C
REF	3547274	MANIFOLD, ASM, HYD 40K M/L HOIST BRAKE	1	D
REF	3547275	CLUTCH ASM, SPRAGG	1	C
REF	3546942	SEAL KIT, 40K BRADEN HOIST	1	C
REF	3546954	SERVICE KIT, MINOR SPARES (NO SEALS)	1	C
12	3543668	C/SCR, SH 5/8-11 UNC x 2-1/2 A574 BLK	16	F
33	3544285	SEAL, PLANETARY HOIST	1	C
40	5403424	ADAPTER, MOTOR	1	D
73	5400938	ANCHOR, CABLE	1	D
79	44748	C/SCR, HH 3/4-10 UNC X 2 G8 ZP	4	F
83	44643	L/WASHER, SPLIT SPRING 7/8 ZP	12	F
87	5400756	BEARING SUPPORT	1	D
89	44514	C/SCR, HH 5/8-11 UNC x 1-3/4 G8 ZP	8	F
90	44522	L/WASHER, SPLIT SPRING 5/8 ZP	8	F
91	5000581	SEAL, OIL	1	C
93	46527	C/SCR, SH 3/8-16 UNC x 1-1/4 A574 ZF	4	F
100	44521	L/WASHER, SPLIT SPRING 1/2 ZP	16	F
110	3546538	MOTOR, HYD AXIAL PISTON 140 CC	1	C
Comments for Part Num. 3546538				
MOTOR DISPLACEMENT CONTROL SOLENOID 3546813 DIN VERSION 5406797 2 PIN DEUTSCH VERSION				
110A	3546813	COIL, SOLENOID 12VDC DIN (OLD STYLE)	1	D
Comments for Part Num. 3546813				
SUPERSEDED BY 2 PIN DEUTCH VERSION				
110B	5406797	COIL, SOLENOID 12VDC DEUTSCH	1	C



BUMEKS®
GEAR INDUSTRY

MAINLINE HOIST

BMC.3547274 MANIFOLD, 40K M/L
HOIST BRAKE





BUMEKS[®]
GEAR INDUSTRY

MAINLINE HOIST

BMC.3547274 MANIFOLD, 40K M/L
HOIST BRAKE

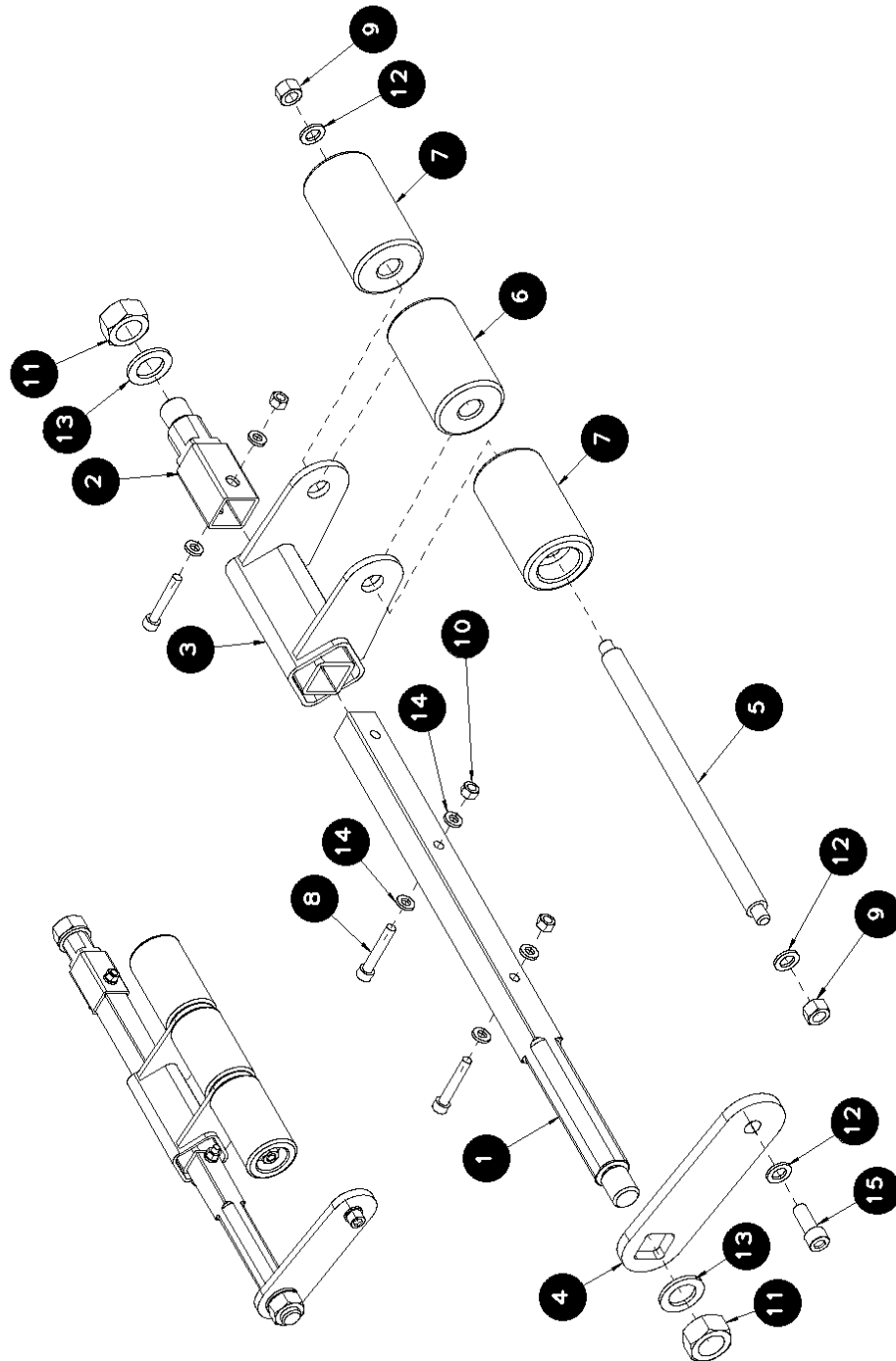
Item	Part No.	Name	Qty	Service
REF	3547274	MANIFOLD, ASM, HYD 40K M/L HOIST BRAKE	1	D
1	5404380	CARTRIDGE, HYD COUNTERBALANCE	1	B



BUMEKS®
GEAR INDUSTRY

MAINLINE HOIST

BMC.5003498 TENSIONER ASM,
40K WINCH





BUMEKS[®]
GEAR INDUSTRY

MAINLINE HOIST

BMC.5003498 TENSIONER

ASM, 40K WINCH

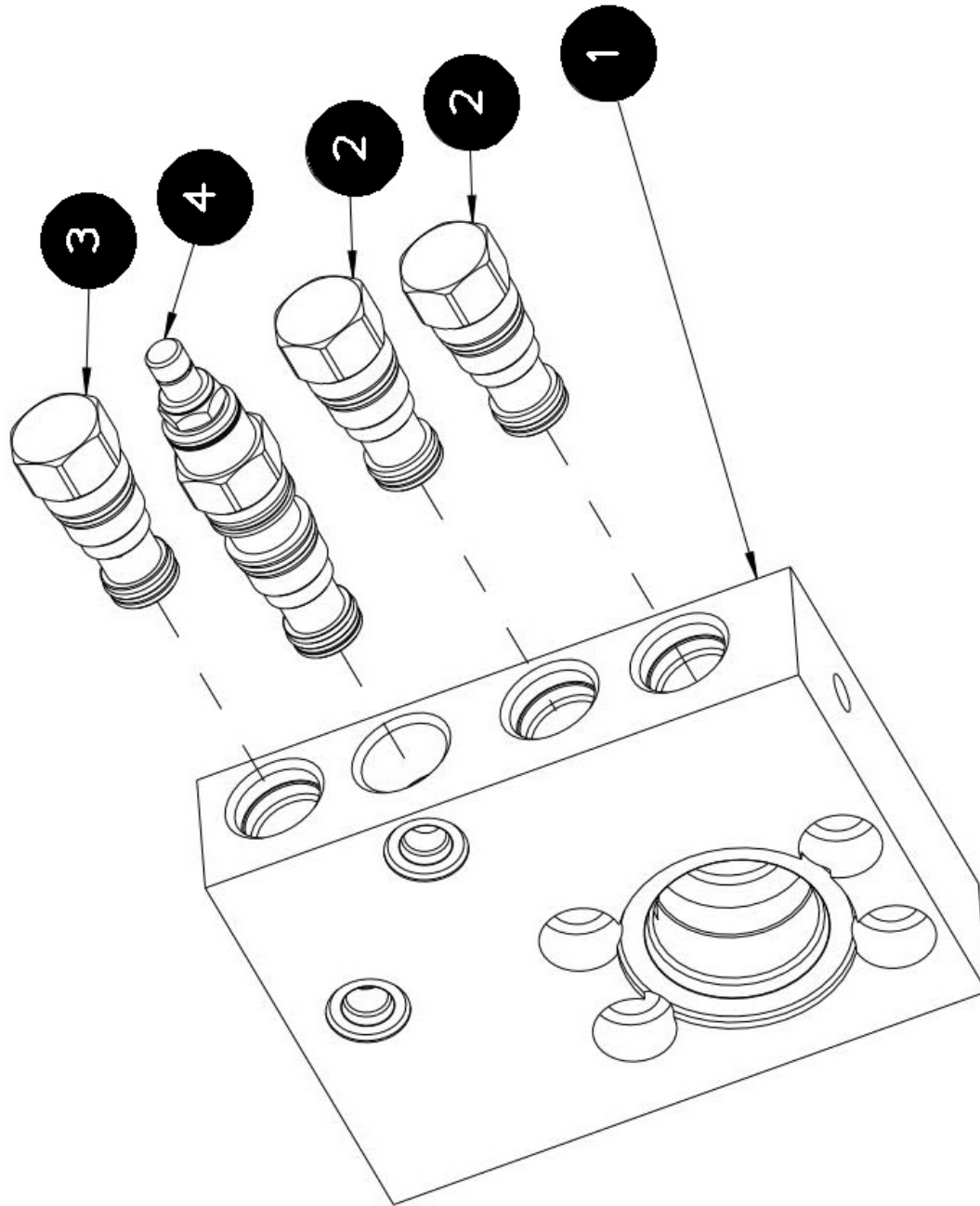
Item	Part No.	Name	Qty	Service
Ref	5003498	TENSIONER ASM, 40K WINCH	1	C
1	5004295	SHAFT, MALE TENSIONER	1	D
2	5004298	SHAFT, FEMALE TENSIONER	1	D
3	5003481	TENSION UNIT, RUBBER	1	D
4	5004296	LEVER, TENSION HOLDING	1	D
5	5003470	SHAFT, ROLLER	1	D
6	5003861	ROLLER, 2-1/2 x 103	1	B
7	5003471	ROLLER 2-1/2 x 109	2	B
8	93158	C/SCR, SH M8-1.25 x 50 G12.9	3	F
9	67605	L/NUT, HEX NYLOC THIN M12-1.75 G8.8 ZP	2	F
10	57401	L/NUT, HEX NYLOC M8-1.25 x 1.25 G8.8 ZP	3	F
11	93247	NUT, HEX PLAIN M24-3.0 CL5 ZP	2	F
12	93253	WASHER, FLAT M12 G8.8 ZP ISO7089	3	F
13	93256	WASHER, FLAT M24 G8.8 ZP ISO7089	2	F
14	93251	WASHER, FLAT M8 G8.8 ZP ISO7089	6	F
15	93346	C/SCR, SH M12-1.75 X 30 G12.9	1	F



BUMEKS®
GEAR INDUSTRY

MAINLINE HOIST

BMC.3547014 MANIFOLD
ASM, HYD CABLE TENSION





BUMEKS[®]
GEAR INDUSTRY

MAINLINE HOIST

BMC.3547014 MANIFOLD
ASM, HYD CABLE TENSION

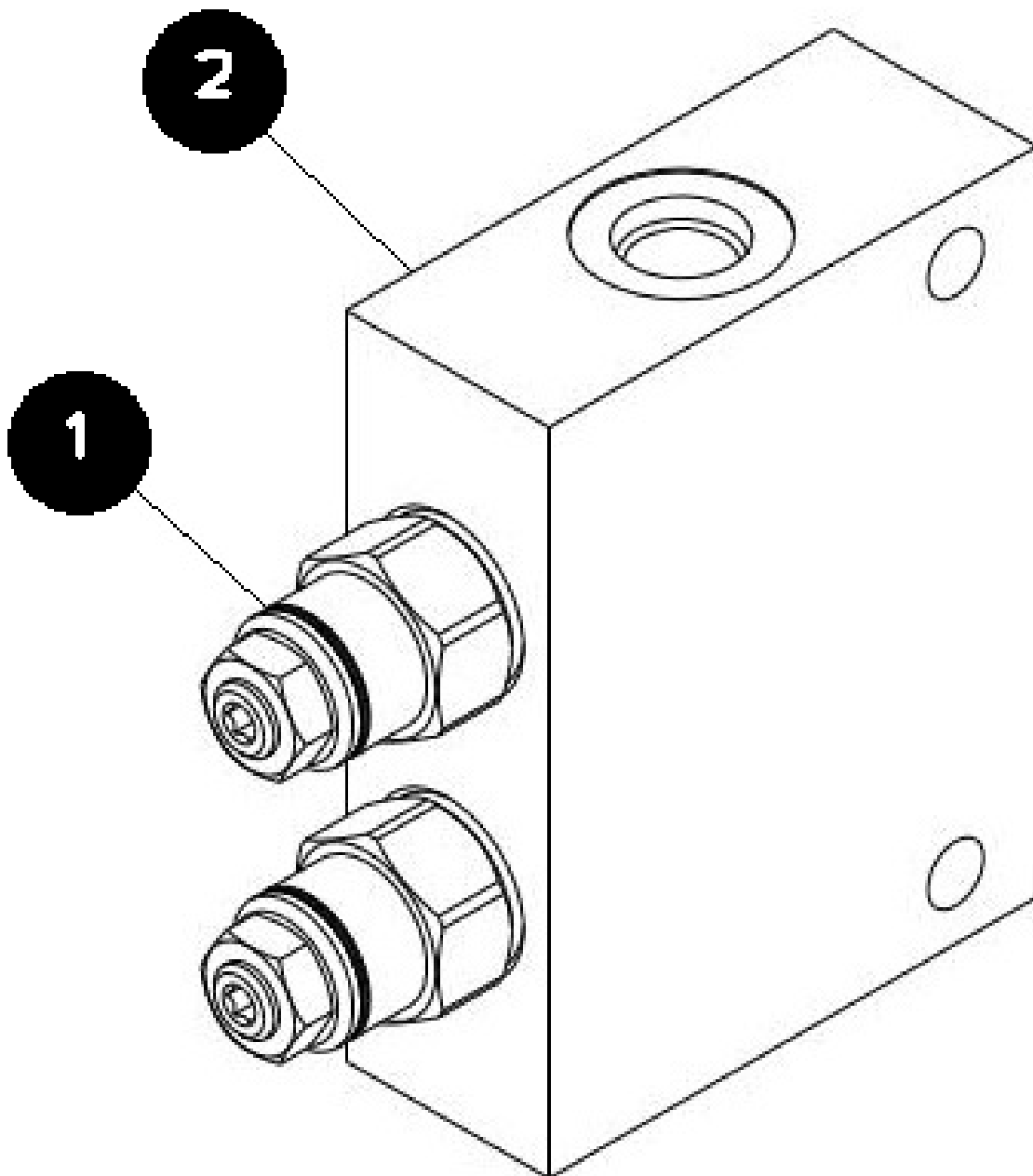
Item	Part No.	Name	Qty	Service
REF	3547014	MANIFOLD ASM, CABLE TENSION LF230	1	C
1		MANIFOLD HYD, CABLE TENSION (BARE)	1	E
2	3547013	CARTRIDGE, HYD SHUTTLE	2	C
3	103316	CARTRIDGE, HYD CHECK	1	C
4	3543453	CARTRIDGE, HYD PRESSURE REDUCING	1	B



BUMEKS®
GEAR INDUSTRY

MAINLINE HOIST

BMC.3547707 VALVE, HYD
DUAL COUNTERBALANCE





BUMEKS[®]
GEAR INDUSTRY

MAINLINE HOIST

BMC.3547707 VALVE, HYD
DUAL COUNTERBALANCE

Item	Part No.	Name	Qty	Service
REF	3547707	VALVE, HYD DUAL COUNTERBALANCE	1	E
1	103329	CARTRIDGE, HYD COUNTERBALANCE	2	B
2	5000141	MANIFOLD, HYD (BARE) CROSS PILOT	1	C



BUMEKS®
GEAR INDUSTRY

MAINLINE HOIST

BMC.5003424 MAINLINE
HOIST LIMITER (OPTIONAL)

**NO DRAWING
AVAILABLE
FOR THIS BOM**



MAINLINE HOIST

BMC.5003424 MAINLINE
HOIST LIMITER (OPTIONAL)

Item	Part No.	Name	Qty	Service
1	3004168	KIT, LF230 MAIN HOIST LIMITER	1	D

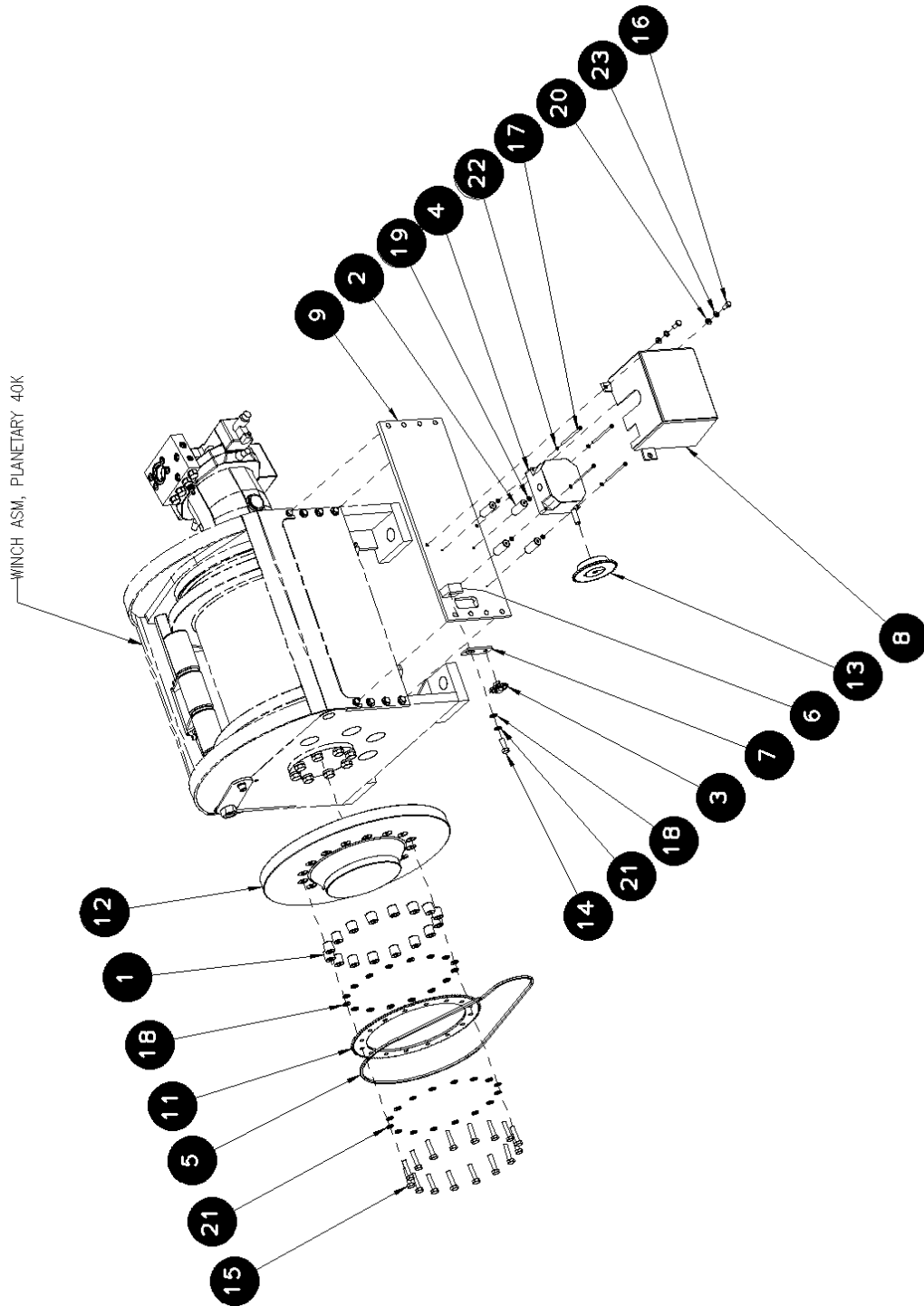


BUMEKS®
GEAR INDUSTRY

MAINLINE HOIST

BMC.3004168 HOIST

LIMITER KIT, 40K (OPTION)





BUMEKS[®]
GEAR INDUSTRY

MAINLINE HOIST

BMC.3004168 HOIST LIMITER KIT, 40K (OPTION)

Item	Part No.	Name	Qty	Service
Ref	3004168	KIT, LF230 MAIN HOIST LIMITER	1	D
1	3004180	SPACER 25 OD x 11 ID x 20	16	D
2	3004181	SPACER 20 OD x 6 ID x 50	4	D
3	3004185	SPROCKET, IDLER 15T	1	C
4	3004186	SWITCH, 40:1 ROTARY LIMIT	1	B
5	3004187	CHAIN 3/8 PITCH x 6.5 FT	1	B
6	3004188	BLOCK, ADJUSTING IDLER	1	D
7	3004189	ARM, ADJUSTING IDLER	1	D
8	5003972	COVER, SWITCH	1	D
9	3004192	PLATE, TIE REWORK	1	D
11	3004194	SPROCKET, 114T x 3/8 PITCH	1	B
12	3004373	FLANGE REWORK, WINCH	1	D
13	5003523	SPROCKET, 38 T x 3/8 PITCH	1	B
14	68886	C/SCR, HH M10-1.5 x 30 G8.8 ZP	1	F
15	5300624	C/SCR, HH M10-1.5 x 45 G8.8 ZP	16	F
16	68861	C/SCR, HH M8-1.25 x 20 G8.8 ZP	2	F
17	93360	C/SCR, SH M5-0.8 X 90 G12.9	4	F
18	93252	WASHER, FLAT M10 G 8.8 ZP ISO7089	17	F
19	93249	WASHER, FLAT M5 G8.8 ZP ISO7089	4	F
20	93251	WASHER, FLAT M8 G8.8 ZP ISO7089	2	F
21	93128	L/WASHER, SPLIT SPRING M10 ZP	17	F
22	93125	L/WASHER, SPLIT SPRING M5 ZP	4	F
23	93127	L/WASHER, SPLIT SPRING M8 ZP	2	F



This brochure contains general information and pictures about BUMEKS GEAR CO.LTD. and its products. They might be subject to change and modification. Bumeks Gear reserves the right to change specifications and design of its products without notice. While Bumeks Gear products are of high quality, they are not originals. Bumeks Gear doesn't have any affiliation to OEM companies and brands described in this brochure. All the OEM numbers and trademark names are used for reference purposes only and belong to their respective owners.



BUMEKS®

BMC DRILL

Büyükkayacık Osb Mah. 407 Nolu sk. No : 4 Selçuklu / Konya

+90 505 039 45 67

eng/esp : sales3@bumeks.com.tr

+90 505 911 21 42

русский : sales2@bumeks.com.tr

www.bumeks.com.tr info@bmcd drill.com