

Bumeks Gear Industry

Hydrostatic Motor Driven Transmissions



BUMEKS®
GEAR INDUSTRY

BMC DRILL

BUMEKS HMD 2355

4-SPEED TRANSMISSION





Shift to Higher GEAR
BUMEKS®
GEAR INDUSTRY



Get the Full Control of Your Hydrostatic Motor

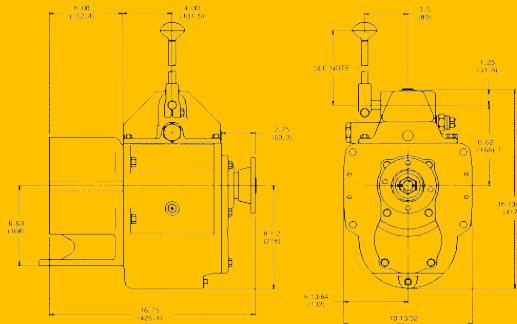


- Consistent power at different speeds
- Suitable gear ratios with 4 speed shifting
- Flexible input and output mountings for all applications



High quality and reliability of BUMEKS transmissions

BUMEKS Aftermarket HMD transmissions are as reliable as the original brands. They are designed with precision engineering, made of world standard high-grade material, and produced with high-tech gear manufacturing machinery



Bumeks HMD 2355 Transmission Specifications

Max input power	Max input speed	Max input torque	Motor adapters	Output fittings	Parking brake
75 kW (100 hp)	3000 rpm (no load)	271 Nm (200 lb-ft)	SAE C, D	Spicer 3-1-2181	Band

Gear ratios and torque

Gears	Low (1 st)	2 nd	3 rd	High (4 th)
Ratios	6.63:1	3.17:1	1.72:1	1:1
Speed, rpm	117 – 196	246 – 410	451 – 756	776 – 1300
Torque, Nm	5113 – 3051	2445 – 1459	1326 – 792	771 – 460
Torque, lb-ft	3771 – 2250	1803 – 1076	978 – 584	569 – 340

Other Data

Shifting	Oil capacity	Oil type	Dry weight	Box size
Mechanical	3.3 L	MIL-L-2105-C or API classification GL-5	78 kg	45 x 48 x 30 cm

True Performance for Your Equipment



Hydrostatic Motor Driven (HMD) transmissions of Bumeks Gear help you get the most torque out of your hydraulic system.

Suitable Applications

Bumeks Gear's HMD transmission is a replaceable aftermarket for John Deere Funk's HMD 2355 4-Speed Transmission.

It is widely used in compact and mobile surface core drills such as:

- Boart Longyear LF70
- Atlas Copco / Epiroc Boyles C6
- Atlas Copco CS1000, CS3001, CS/CT14
- Turkish made surface core drill rigs
- Canadian drill rigs and rotation units.

Spare Parts

You can get spare parts for low-cost maintenance and quick return to operation. Our aftermarket parts and repair kits are perfectly interchangeable and work together with the original ones.



Our Guarantee

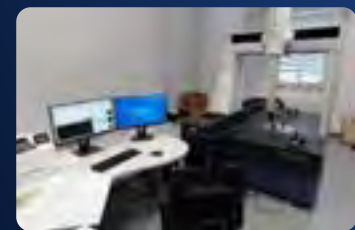
Our transmissions have already been tested in the lab and in the field for quality and performance. Thus, we can surely give you a guarantee for up to six months of operation.



ISO 9001-2015
Certificate from TÜV
Thüringen

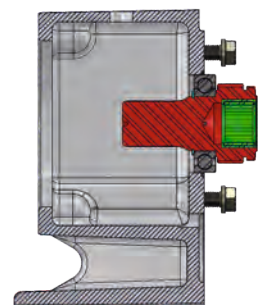
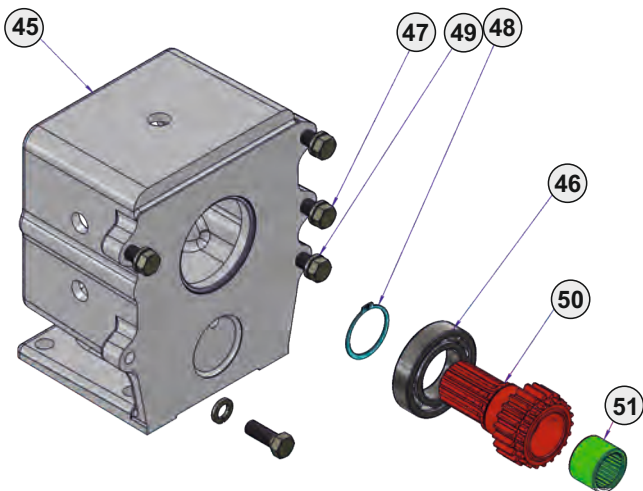
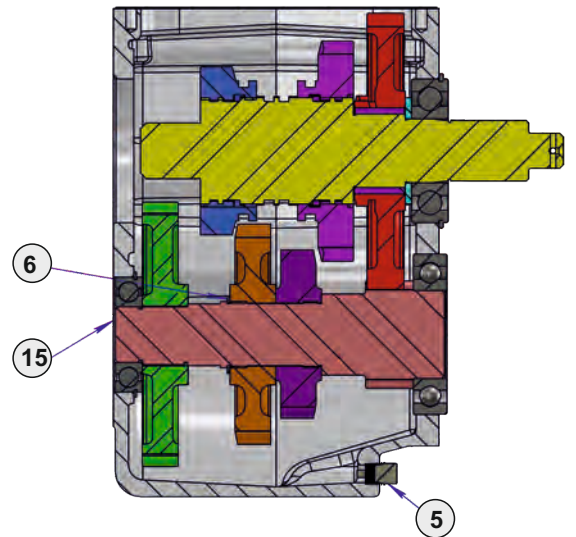
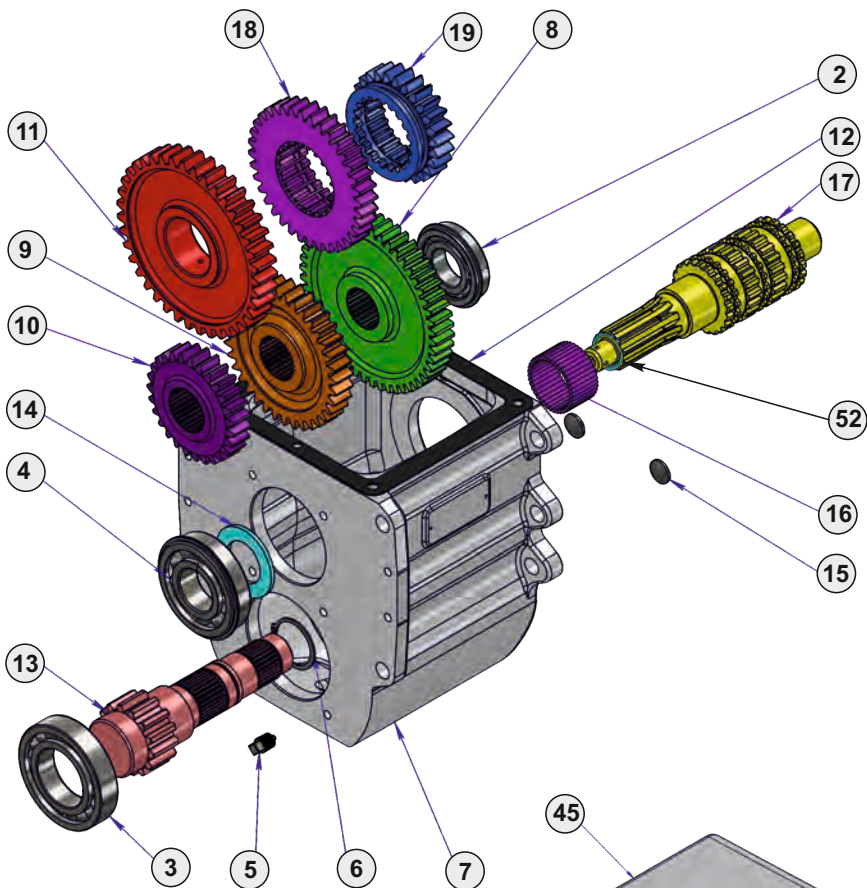
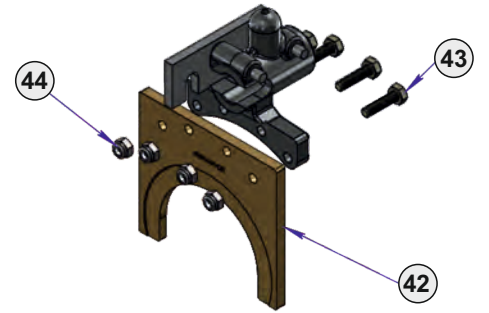
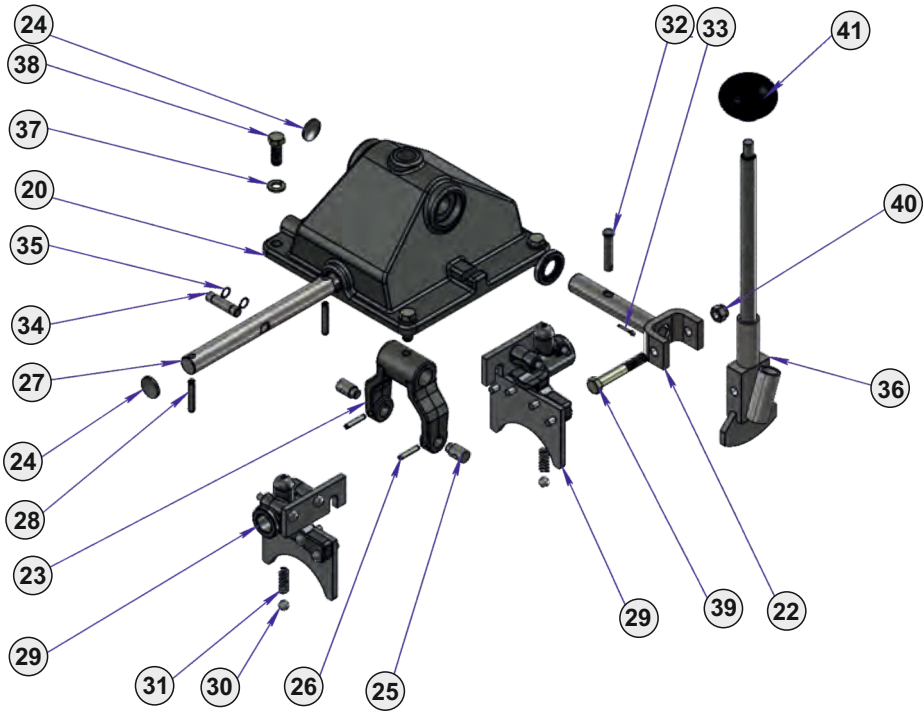


Bumeks gears are
controlled by
Klingenberg P40



Bumeks quality is
measured with Mitutoyo
CMM 9168







BUMEKS[®]
GEAR INDUSTRY

HMD2355

4 Speed Transmission

BMC DRILL

Image#	Item #	Bumeks #	Funk #	Copco #	Boyles #	AVD #	Description	Qty
	1	B000.000350	YZ06308	3760003197	100311		COMPLETE TRANSMISSION FUNK	1
	2	B000.000350-23	F40207R	3760007123	090004-207	TR-9	MEDIUM DEEP GROOVE BALL BRG	1
	3	B000.000350-25	F41211R	3760007124	090016-211	TR-10	MEDIUM DEEP GROOVE BALL BRG	1
	4	B000.000350-26	YZ4023932	3760007125	090028-308	TR-18	MEDIUM DEEP GROOVE BALL BRG	1
	5	B000.000350-56	F202002	3760007338	090790-2	TR-2	1/4 NPT, SQUARE HEAD MAGNETIC PLUG	1
	6	B000.000350-39	F39010162	335110426	5051162	TR-8	EXTERNAL RETAINING RING	1
	7	B000.000350-2	4023301B	3760007092	154000-0	TR-1	HOUSING	1
	8	B000.000350-09	4023307	3760007106	154017-0	TR-4	SPUR GEAR	1
	9	B000.000350-08	4023308	3760007105	154016-0	TR-5	GEAR, CENTERSHAFT, 3RD	1
	10	B000.000350-07	4023314	3760007104	154015-0	TR-6	GEAR, COUNTER 2ND	1
	11	B000.000350-12	4023355	3760007101	154010-0	TR-15	GEAR	1
	12	B000.000350-36	4023481	3760007108	154021-0		GASKET, CAP	1
	13	B000.000350-14	4023543	3760007103	154014-0	TR-7	SHAFT	1
	14	B000.000350-43	4023834	3760007107	154018-0	TR-16	WASHER LOWER GEAR #2	1



BUMEKS[®]
GEAR INDUSTRY

HMD2355

4 Speed Transmission

BMC DRILL

Image#	Item #	Bumeks #	Funk #	Copco #	Boyles #	AVD #	Description	Qty
	15	B000.000350-54	F22010A	3760007118	154102-0	TR-57	PLUG FREEZE	2
	16	B000.000350-40	F56720	3760007112	158916-5	TR-11	ROLLER	39
	17	B000.000350-15	YZ4023878	3760007116	163692-2	TR-12	SHAFT	1
	18	B000.000350-11	YZ4023879	3760007102	154011-0	TR-14	GEAR, MAIN SHAFT	1
	19	B000.000350-10	YZ4023880	3760007109	158916-1	TR-13	GEAR, MAIN SHAFT	1
	20	B000.000350-3	4023406	3760007094	154002-1	TR-38	CAP	1
	21	B000.000350-37	F65022	3760007117	154101-0	TR-39	OIL SEAL	1
	22	B000.000350-18	4023463	3760005306		TR-60	SHAFT	1
	23	B000.000350-5	4023456	3760007100	1540008-0	TR-40	INSIDE LEVER	1
	24	B000.000350-54	F22010A	3760007118	154102-0	TR-57	PLUG FREEZE	3
	25	B000.000350-5-1	4023461	3760007099	154007-0	TR-41	PIN, LEVER	2
	26	B000.000350-44	34H282	5530775000	090107-160	TR-42	3/16" X 1" PLAIN FINISH STEEL SLOTTED SPRING PIN	2
	27	B000.000350-17	4023413	3760007097	154005-0	TR-53	RAIL, SHIFT	1



BUMEKS
GEAR INDUSTRY

HMD2355

4 Speed Transmission

BMC DRILL

Image#	Item #	Bumeks #	Funk #	Copco #	Boyles #	AVD #	Description	Qty
	28	B000.000350-45	34H315	108110301	090107-201	TR-56	1/4" X 1-3/8" PLAIN FINISH STEEL SLOTTED SPRING PIN	2
	29	B000.000350-6	4023424	3760007095	154003-0	TR-45	FORK ASSEMBLY	2
	30	B000.000350-46	F7400012D	517111600	090212-10	TR-52	3/8" CHROME STEEL BALL	2
	31	B000.000350-31	YZ4023877	3760007114	158916-7	TR-51	DETENT SPRING	2
	32	B000.000350-5-2	YZ4023875	113461519	090772-12	TR-44	PIN FASTENER	1
	33	B000.000350-35	11M7079			TR-107	3/32" X 1/2" ZINC FINISH EXTENDED PRONG COTTER PIN	1
	34	B000.000350-49	4023451	3760007098	154006-0	TR-54	PIN, INHIBITER	1
	35	B000.000350-38	H80661	335110425	5051037		EXTERNAL RETAINING RING	2
	36	B000.000350-29	YZ4023886	3760007096	154004-0	TR-60	FUNK SHIFT LEVER	1
	37	B000.000350-51	12H304	5530702900	5180506		3/8 ZINC FINISH MEDIUM SPLIT LOCK WASHER	4
	38	B000.000350-48	19H218	144328703	5103603		3/8-16 X 1" GRADE 8 YELLOW ZINC FINISH HEX CAP SCREW	4
	39	B000.000350-47	F1003540	5530604000	5113430		3/8-24 X 2-1/2" GRADE 8 YELLOW ZINC FINISH HEX CAP SCREW	1
	40	B000.000350-58	F827616FA	292133809	5171306	TR-63	3/8-24 GRADE 2 ZINC FINISH NE STEEL NYLON INSERT LOCK NUT	1



BUMEKS[®]
GEAR INDUSTRY

HMD2355

4 Speed Transmission

BMC DRILL

Image#	Item #	Bumeks #	Funk #	Copco #	Boyles #	AVD #	Description	Qty
	41	B000.000350-52	F83000	3760007119	154103-0	TR-61	Knob, Lever	1
	42	B000.000350-6-1BR					Plate Fork Full Brass	1
	43	B000.000350-6-1BR 1					1/4-20 x 1" Grade 8 Yellow Zinc Finish Hex Cap Screw	4
	44	B000.000350-6-1BR 2					1/4-20 Grade 2 Zinc Finish NE Steel Nylon Insert Lock Nut	4
	45	B000.000350-1C	4HP-D7105A			TR-105	Adapter Fitting, SAE D	1
	46	B000.000350-24	F41210RH	3760007332	090017-210	TR-101	Medium Deep Groove Ball Brg	1
	47	B000.000350-50	19H2355	144340403	5116003		9/16-12 x 1-1/2" Grade 8 Yellow Zinc Finish Hex Cap Screw	5
	48	B000.000350-34	N71922	335110427	5111196	TR-102	External Retaining Ring	1
	49	B000.000350-59	F16205	5530704900	5180509		9/16 Zinc Finish Medium Split Lock Washer	5
	50	B000.000350-13	4023709	3760007110	158916-2	TR-100	Gear Shaft 13T, 21T, 21T	1
	51	B000.000350-27	F5102220	3760007115	158916-10	TR-17	Ndl Roller & Cage Assembly In	1
	52	B000.000350-33					External Retaining Ring	1




This brochure contains general information and pictures about BUMEKS GEAR CO.LTD. and its products. They might be subject to change and modification. Bumeks Gear reserves the right to change specifications and design of its products without notice. While Bumeks Gear products are of high quality, they are not originals. Bumeks Gear doesn't have any affiliation to OEM companies and brands described in this brochure. All the OEM numbers and trademark names are used for reference purposes only and belong to their respective owners.



BUMEKS®

BMC DRILL


Büyükkayacık Osb Mah. 407 Nolu sk. No : 4 Selçuklu / Konya

 +90 505 039 45 67

 eng/esp : sales3@bumeks.com.tr

 +90 505 911 21 42

 русский : sales2@bumeks.com.tr

 www.bumeks.com.tr  info@bmcd drill.com