

Bumeks Gear Industry

Hydrostatic Motor Driven Transmissions



BUMEKS[®]
GEAR INDUSTRY

BMC DRILL

BUMEKS HMD 12700 4-SPEED TRANSMISSION





Shift to Higher GEAR

BUMEKS®
GEAR INDUSTRY



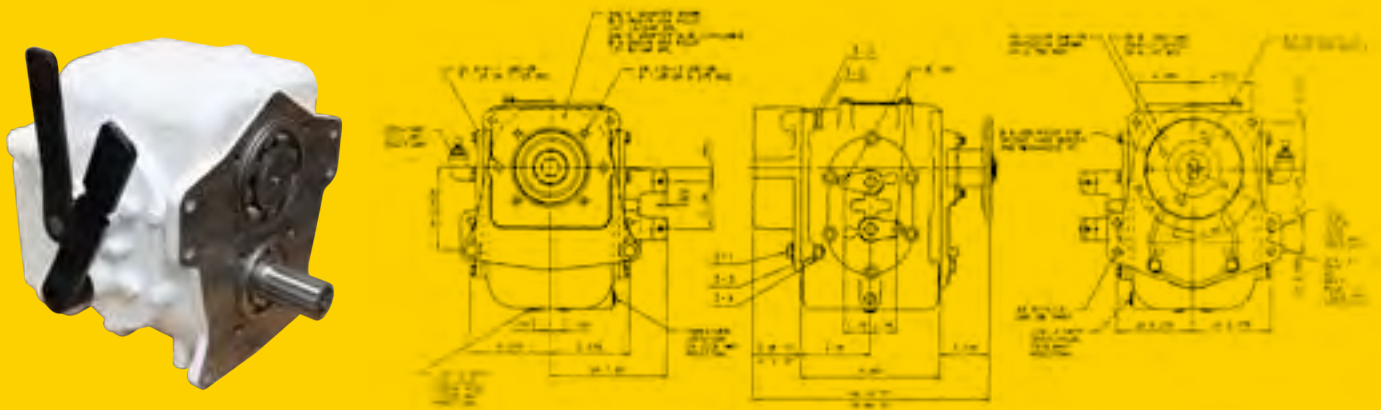
Get the Full Control of Your Hydrostatic Motor



- Consistent power at different speeds
- Suitable gear ratios with 4 speed shifting
- Flexible input and output mountings for all applications

High quality and reliability of BUMEKS transmissions

BUMEKS Aftermarket HMD transmissions are as reliable as the original brands. They are designed with precision engineering, made of world standard high-grade material, and produced with high-tech gear manufacturing machinery



Bumeks HMD 12700 Transmission Specifications

Max input power	Max input speed	Max input torque	Motor adapters	Output fittings	Parking brake
104 kW (140 hp)	2500 rpm (no load)	407 Nm (300 lb-ft)	SAE C and D	Spicer 1500 and 1600	Drum-type

Gear Ratios

Gears	Low (1 st)	2 nd	3 rd	High (4 th)
Ratios	6.27:1	3.12:1	1.75:1	1:1

Other Data

Shifting	Oil capacity	Oil type	Dry weight	Input
Hydraulic, Mechanical	4.4 L (4 qt)	MIL-L-2105-C or API classification GL-5	88 kg	SAE 14-tooth 12/24 DP SAE 13-tooth 8/16 DP

True Performance for Your Equipment



Hydrostatic Motor Driven (HMD) transmissions of Bumeks Gear help you get the most torque out of your hydraulic system.

Suitable Applications

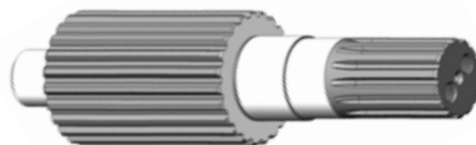
Bumeks Gear's HMD transmission is a replaceable aftermarket for John Deere Funk's HMD 12700 4 Speed Transmission.

It is widely used in compact and mobile surface core drills such as:

- Boart Longyear LF70 PQ
- Boart Longyear LF90C/D/LS
- Boart Longyear LF230
- Turkish made surface core drill rigs
- Canadian drill rigs and rotation units.

Spare Parts

You can get spare parts for low-cost maintenance and quick return to operation. Our aftermarket parts and repair kits are perfectly interchangeable and work together with the original ones.



Our Guarantee

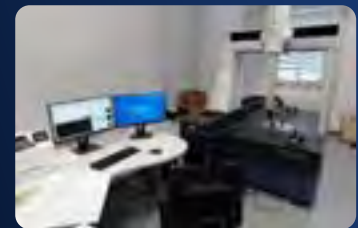
Our transmissions have already been tested in the lab and in the field for quality and performance. Thus, we can surely give you a guarantee for up to six months of operation.



ISO 9001-2015
Certificate from TÜV
Thüringen



Bumeks gears are
controlled by
Klingenberg P40



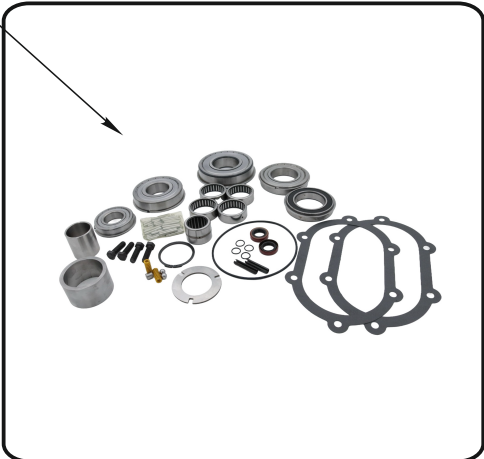
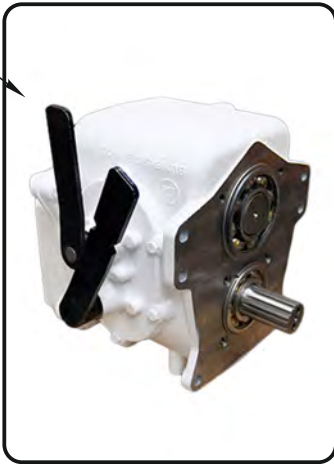
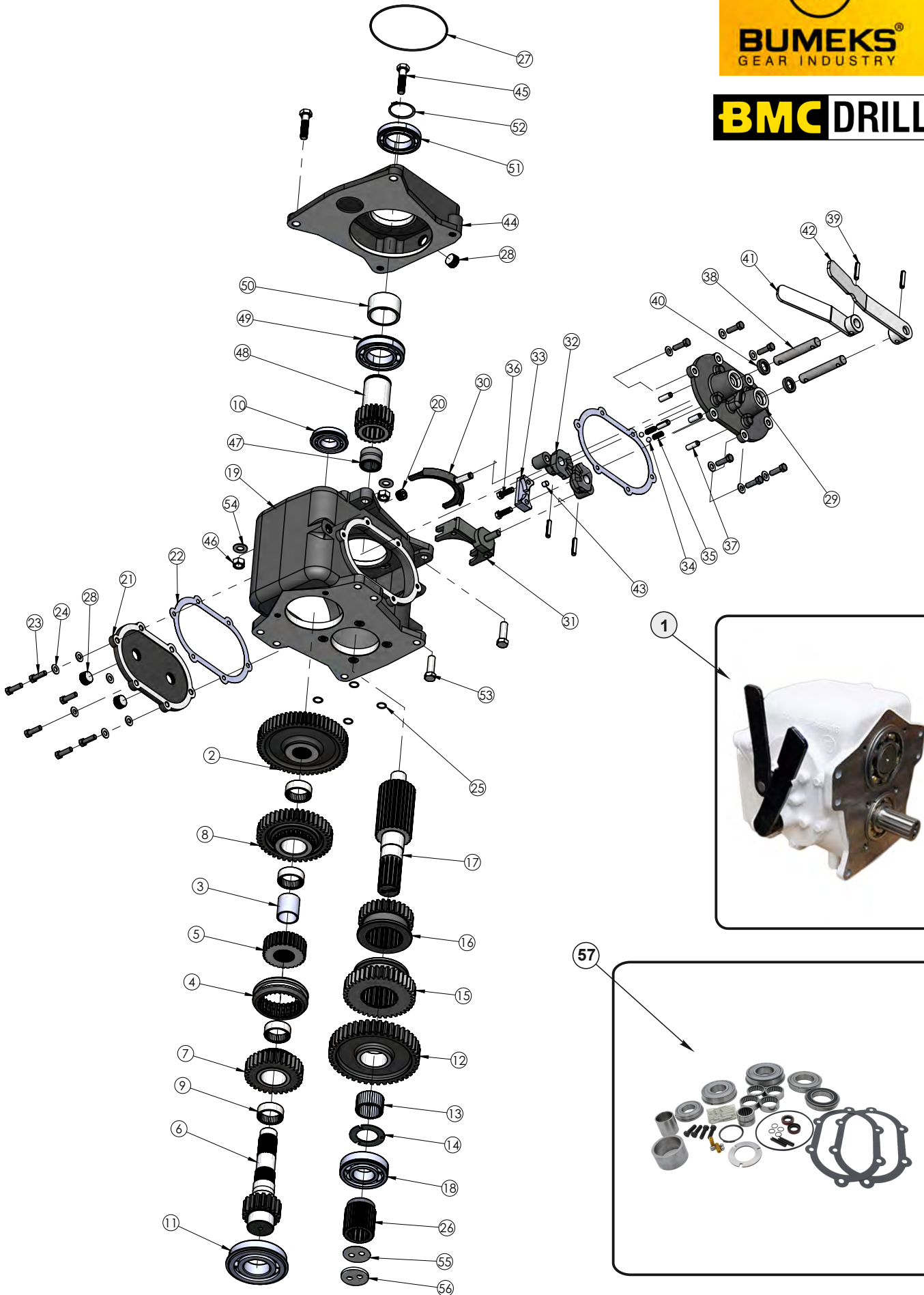
Bumeks quality is
measured with Mitutoyo
CMM 9168





BUMEKS
GEAR INDUSTRY

BMC DRILL



	Item #	Bumeks #	Board Longyear #	Description	Qty
	1	B000.000351	103815	HMD12700 COMPLETE TRANSMISSION	1
	2	B000.000351-12	95356	GEAR, COUNTERSHAFT	1
	3	B000.000351-17	95357	SLEEVE, BEARING	1
	4	B000.000351-16	95358	COLLAR, SHIFTING	1
	5	B000.000351-15	95359	GEAR	1
	6	B000.000351-11	95360	COUNTERSHAFT	1
	7	B000.000351-14	95361	GEAR, 2ND COUNTERSHAFT	1
	8	B000.000351-13	95362	GEAR, 3RD COUNTERSHAFT	1
	9	B000.000351-32	95363	NDL BEARING 2812 53.975 X 44,45 X 19,05 , ROLLER	4
	10	B000.000351-37	3549020	BEARING 6207 ZZ C372 X 35 X 17	1
	11	B000.000351-33	95365	BEARING 6311 ZZ120 X 55 X 29	1
	12	B000.000351-06	95366	GEAR, MAINSHAFT LO	1
	13	B000.000351-35	95367	ROLLER 4,725 X 31,45	34



BUMEKS®
GEAR INDUSTRY

BMC DRILL

	Item #	Bumeks #	Board Longyear #	Description	Qty
	14	B000.000351-06-1	3541202	WASHER, THRUST (REWORK)	1
	15	B000.000351-07	95369	GEAR, MAINSHAFT 2ND	1
	16	B000.000351-08	95370	GEAR, MAINSHAFT 3RD	1
	17	B000.000351-05	95371	SHAFT, MAIN	1
	18	B000.000351-34	95372	6309 ZZ C3100 X 45 X 25 BEARING, BALL	1
	19	B000.000351-01	5002674	HOUSING, TRANSMISSION REWORKED	1
	20	B000.000351-29	3540641	PLUG, MAGNETIC	1
	21	B000.000351-03	3540642	COVER, SIDE	1
	22	B000.000351-30	95377	GASKET, SIDE COVER	2
	23	B000.000351-42	44512	C/SCREW, HH 3/8 UNC X 1 LG	12
	24	B000.000351-43	95398	WASHER, SEALING 3/8" - 95398	12
	25	B000.000351-54	95378	O-RING - 95378	4
	26	B000.000351-10	3548809-306485	SPLINED ADAPTER - 3548809	1



BUMEKS®
GEAR INDUSTRY

HMD12700 Piston Pump

BMC DRILL

	Item #	Bumeks #	Board Longyear #	Description	Qty
	27	B000.000351-47	3540646	O-RING - 3540646	1
	28	B000.000351-28	3540643	PIPE PLUG, SIDE COVER NPT 3/4 13G - 3540643	3
	29	B000.000351-04	95402	CAP, SIDE SHIFT - 95402	1
	30	B000.000351-19	95403	FORK, 2ND & 3RD SHIFTER - 95403	1
	31	B000.000351-20	3542442	FORK, EXTENDED SLIDING - 3542442	1
	32	B000.000351-23	95405	SECTOR, SHIFTER - 95405	2
	33	B000.000351-21	95406	BLOCK, INHIBITOR - 95406	1
	34	B000.000351-40	95407	BALL - 95407	3
	35	B000.000351-52	3546620	DIE SPRING, EXTRA HEAVY-HEAVY 10 X 25 PSE - 3546620	2
	36	B000.000351-41	95409	C/SCREW, HH 5/8 UNF X 1" DRILLED HEAD - 95409	2
	37	B000.000351-26	95410	PIN, ROLL 5/16 DIA X 1.5 LG - 95410	4
	38	B000.000351-22	95411	SHAFT, SHIFT SELECTOR - 95411	2
	39	B000.000351-27	95413	PIN, ROLL 5/16 DIA X 1.5 - 95413	2

BMC DRILL

	Item #	Bumeks #	Board Longyear #	Description	Qty
	40	B000.000351-36	95414	19*32*7 TB2 NBR CHO SEAL, RING - 95414	2
	41	B000.000351-24	3541838	SHIFTER HANDLE, FUNK TRANSMISSION (1ST & 4TH) - 3541838	1
	42	B000.000351-25	3541839	SHIFTER HANDLE, FUNK TRANSMISSION (2ND & 3RD) - 3541839	1
	43	B000.000351-53	3546622	DISC, TRANSMISSION INTERLOCK - 3546622	1
	44	B000.000351-02	3549314	ADAPTER, MOTOR REWORK - 3549314	1
	45	B000.000351-48	95416	SCREW 9/16 UNC X 2.25 - 95416	2
	46	B000.000351-51	95417	9/16 UNC WASHER - 95417	2
	47	B000.000351-31	79792	NDL BEARING HJ-202820 44,45X 31,75 X 31,75 , TRANSMISSION PILOT - 79792	1
	48	B000.000351-09	3540645	GEAR, INPUT SHAFT - 3540645	1
	49	B000.000351-38	95418	BEARING, BALL 6211 ZZ C3 100 X 55 X 21 - 95418	1
	50	B000.000351-18	95419	SPACER, BEARING - 95419	1
	51	B000.000351-39	95420	BEARING 6011 EE C3 90 X 55 X 18 - 95420	1
	52	B000.000351-44	95421	RING, SNAP - 95421	1
	53	B000.000351-49	95422	SCREW 9/16 UNC X 1.75 - 95422	2
	54	B000.000351-50	95423	WASHER - 95423	4
	55	B000.000351-45	103281	SHIM, CPN FLG - 103281	6
	56	B000.000351-46	95389	RETAINER - 95389	1
	57	B000.3541060	3541060	OVERHOUL KIT, FUNK TRANS HMD12700	1



This brochure contains general information and pictures about BUMEKS GEAR CO.LTD. and its products. They might be subject to change and modification. Bumeks Gear reserves the right to change specifications and design of its products without notice. While Bumeks Gear products are of high quality, they are not originals. Bumeks Gear doesn't have any affiliation to OEM companies and brands described in this brochure. All the OEM numbers and trademark names are used for reference purposes only and belong to their respective owners.



BUMEKS®

BMC DRILL


Büyükkayacık Osb Mah. 407 Nolu sk. No : 4 Selçuklu / Konya

 +90 505 039 45 67

 eng/esp : sales3@bumeks.com.tr

 +90 505 911 21 42

 русский : sales2@bumeks.com.tr

 www.bumeks.com.tr  info@bmcd drill.com