

Bumeks Gear Industry

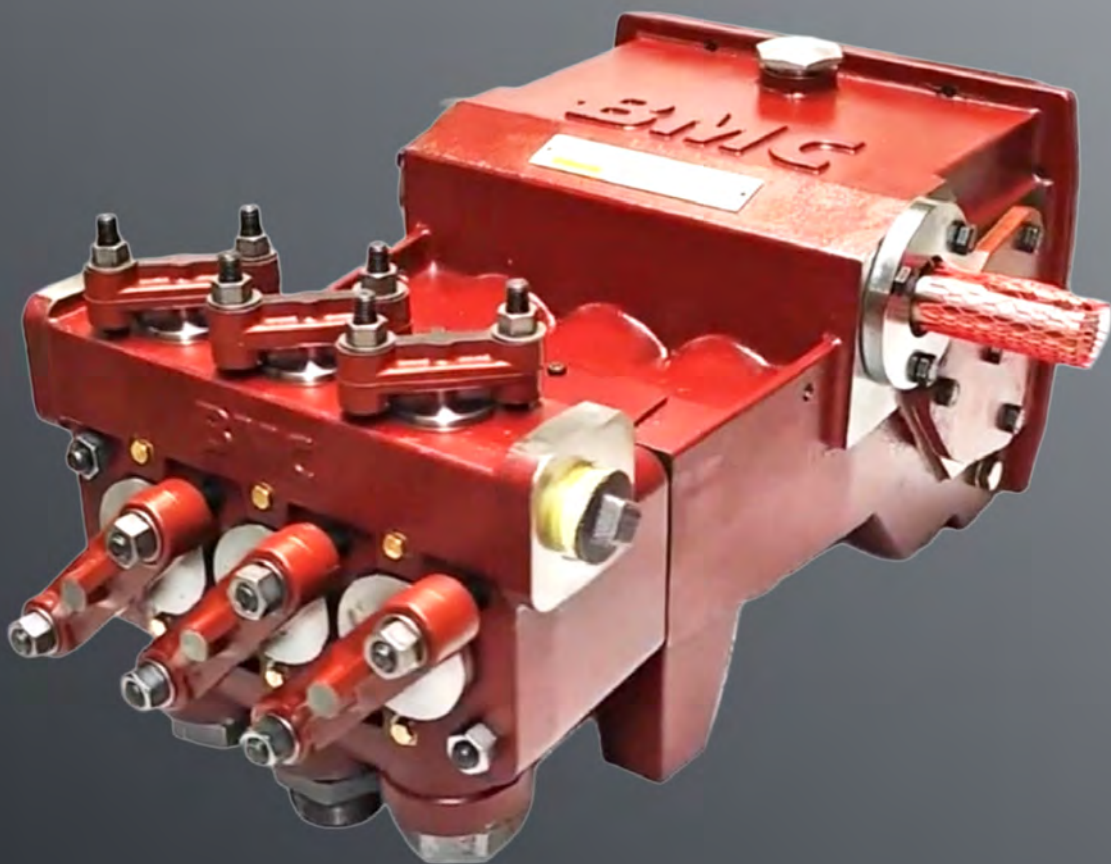
Triplex Mud Pump



BUMEKS[®]
GEAR INDUSTRY

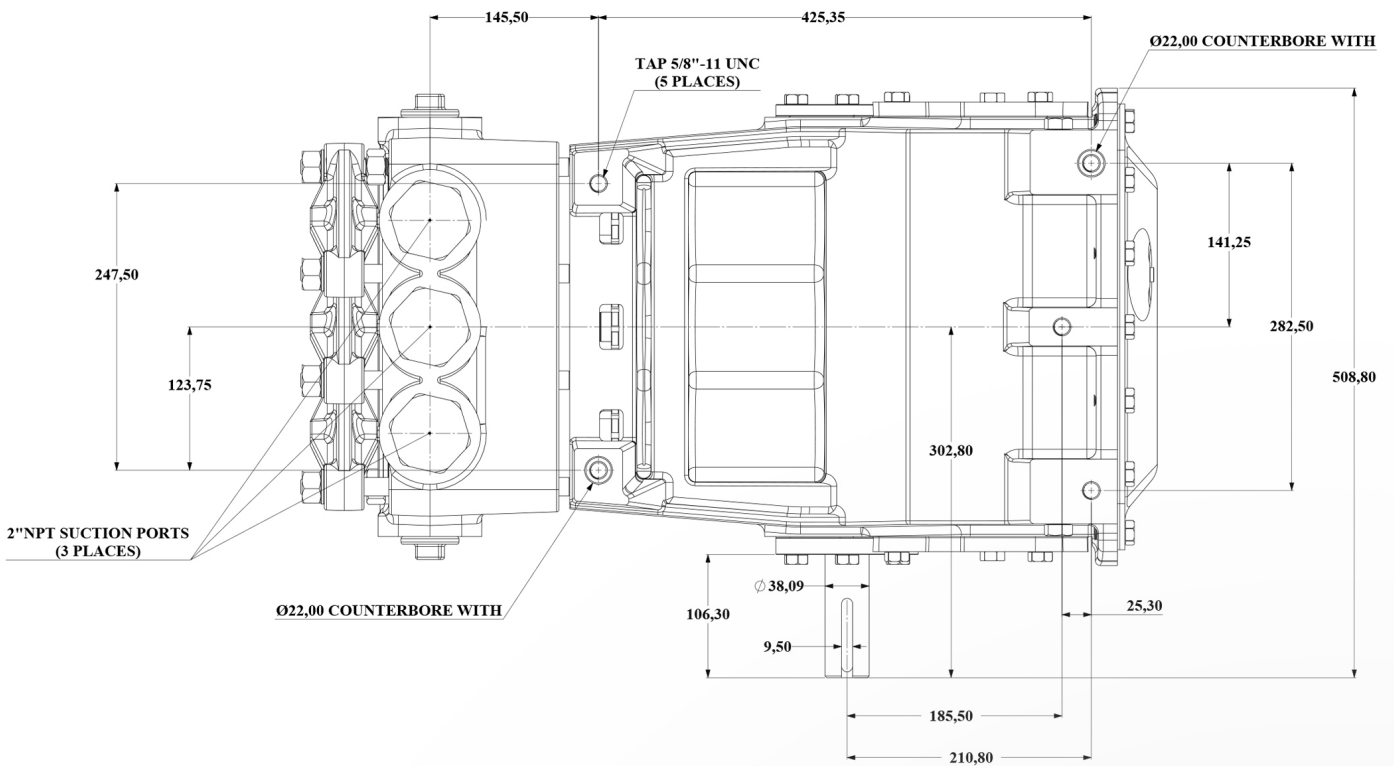
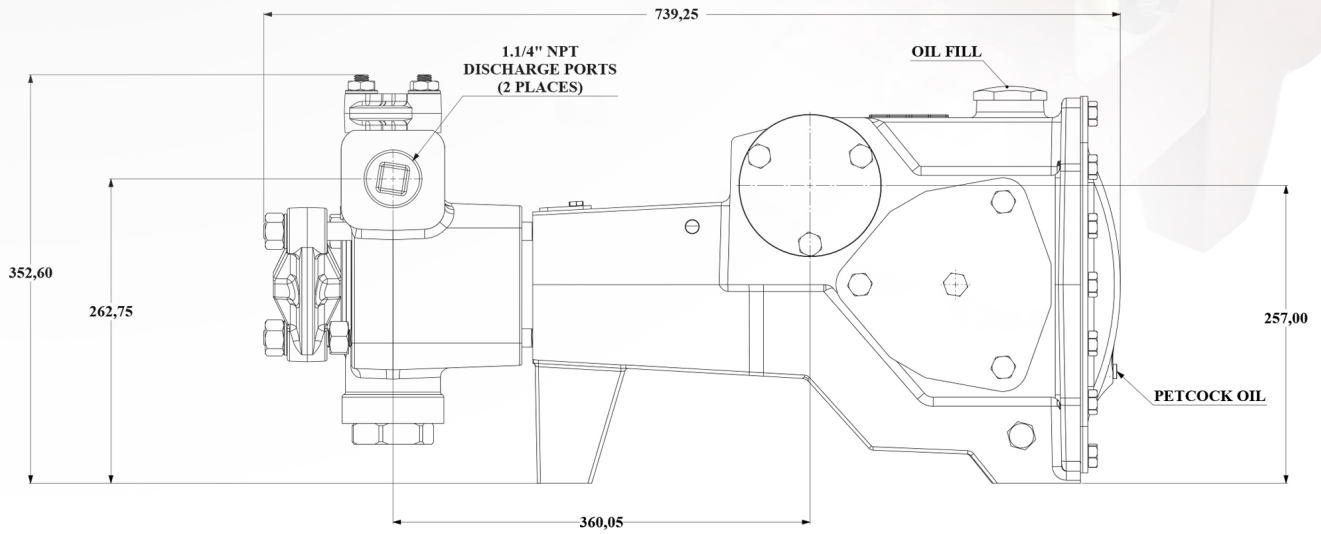
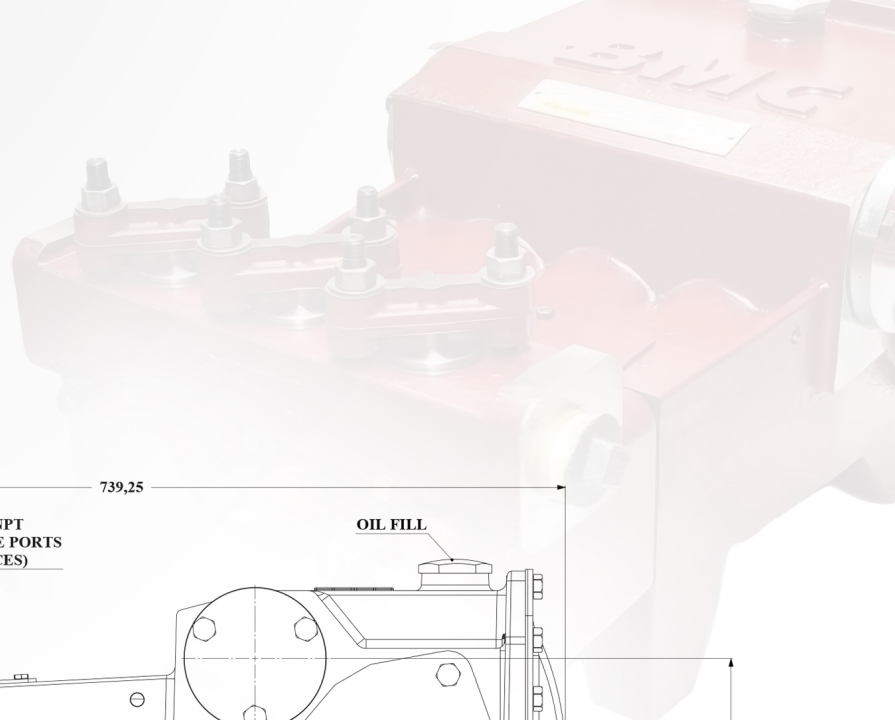
BMC DRILL

TRIPLEX MUD PUMP



BMC W1122

BEAN 435



BMC DRILL



Shift to Higher GEAR

BUMEKS[®]
GEAR INDUSTRY





BUMEKS[®]
GEAR INDUSTRY

BMCW1122 Piston Pump

BMC DRILL

BMCW1122 Piston Pump Data

30 BHP Continuous Duty (36 BHP Intermittent Duty)



Specifications	
Pump Model	BMCW1122
Configuration	Horizontal Triplex Piston
Number of Pistons	3
Stroke Length	2.75 Inches (69.9 mm)
Frame Load Rating	6000 lbs. (2,721 kg)
Pump Weight	425 lbs. (197 kg)
Direction of Rotation	Top of Shaft away from head
Internal Gear Rotation	3.6:1
Intermittent Duty Speed Rating	900 RPM (Jackshaft)
Continuous Duty Speed Rating	750 RPM (Jackshaft)
Ball Valve Max Speed Rating	635 RPM (Jackshaft)
Minimum Speed	360 RPM
Mechanical Efficiency	85%
Lubrication System	Splash, Gravity Return
Lube Oil Capacity	1 Gallon
Lube Oil Type	SAE 30
Maximum Fluid Temperature	140°F (250° Capability)
Minimum Fluid Temperature	0°F (-20° Capability)
Standard Suction Size	2.00 Inch NPT (50.8 mm)
Standard Discharge Size	1.25 Inch NPT (31.8 mm)
Fluid End Material	Ductile Iron
Valve Type	Disc Valves/Ball Valves
Hydraulic Motor Mount	SAE C - 4 Bolt with 1.25"-14T

Performance Rating

Pump Model	Piston		Displacement/REV		Maximum Pressure		Pump Capacity @ Input Speed (RPM)									
							350 RPM		500 RPM		635 RPM		750 RPM		900 RPM	
	Inch	mm	Gallon	Liter	PSI	kg/cm ²	gpm	lpm	gpm	lpm	gpm	lpm	gpm	lpm	gpm	lpm
BMCW1122	2.75	69.9	0.0589	0.223	1,000	70.3	20.6	78	29.5	112	37.4	142	44.2	167	53	201

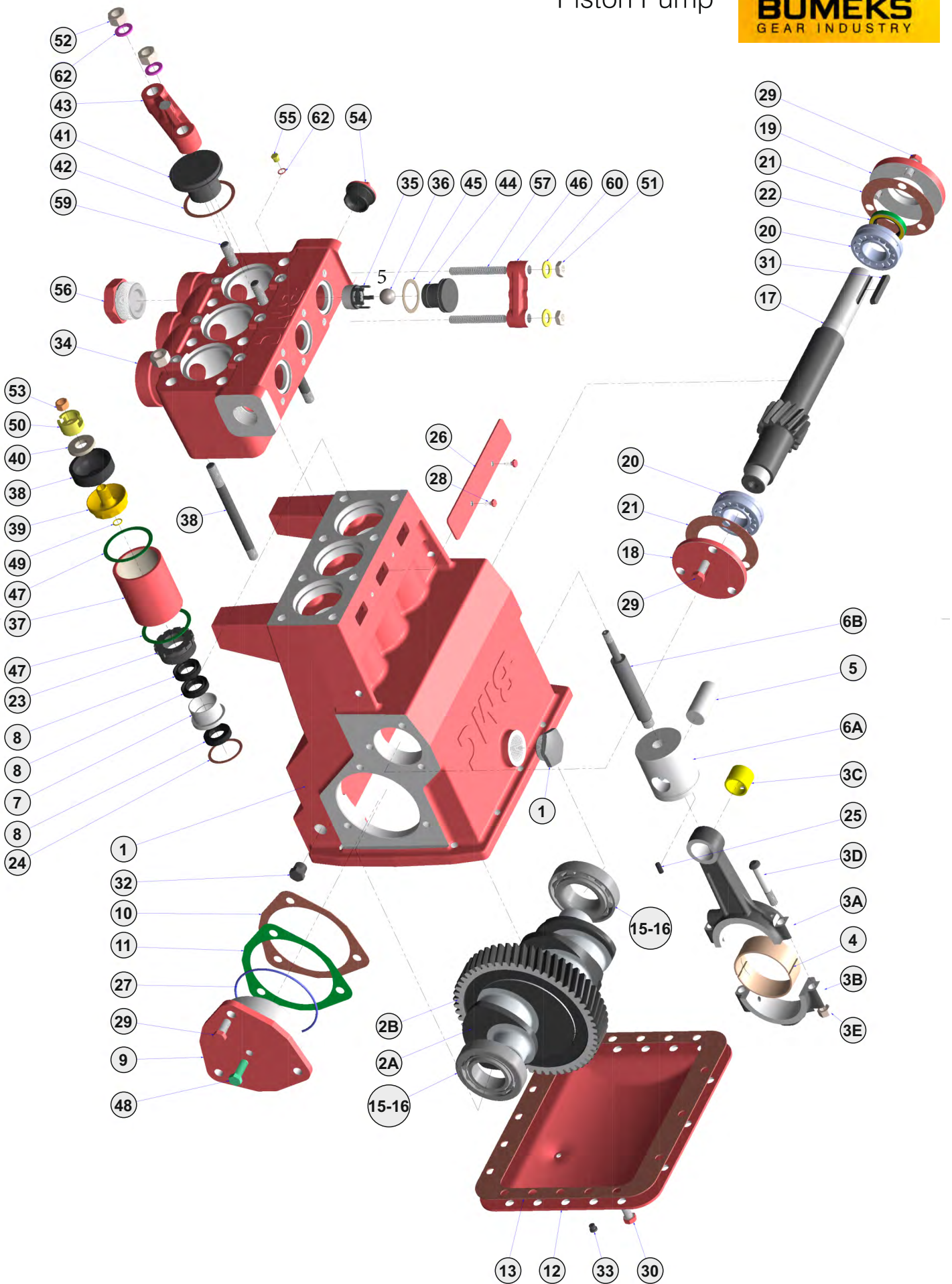
Specifications subject to change without notice.

Horsepower is based on 85 or 90% efficiency. Actual application horsepower requirements can be calculated using this equation: $BHP = (GPM \cdot PSI) / (1714 \cdot 0.85 \text{ or } 0.90)$ Pump capacities listed are based on 100% volumetric efficiency.

BMCW1122 Piston Pump



BUMEKS
GEAR INDUSTRY



BMCW1122

Piston Pump

BMC DRILL

Image#	Item#	Bumeks#	Fmc BEAN#	Boart Longyear#	Atlas Copco#	Description	Qty
	1	BMC.5257698	5257698	79105	3715 7445 00	PUMP CASE	1 Qty
	2	BMC.1285094	1285094	79328	3715 7407 00	CRANK SHAFT	1 Qty
	3	BMC.5266814	5266814	75077	3715 7417 00	CONNECTING ROD ASSEMBLY	3 Qty
	3C	BMC.9226	9226	75032	3715 7418 00	BUSHING, CONNECTING ROD	3 Qty
	3D	BMC.18744	18744	78547	3715 7419 00	CONNECTING ROD SCREW	6 Qty
	3E	BMC.1101270	1101270	79199	3715 7420 00	CONNECTING ROD NUT	6 Qty
	4	BMC.P514965	P514965 - 1280910	75033	3715 7421 00	ROD BEARING- BEARING INSERT	3 Qty
	5	BMC.A91014	A91014	75076	3715 7422 00	WRIST PIM	3 Qty
	6	BMC.1252939	1252939	75072	3715 7424 00	CROSSHEAD	3 Qty
	7	BMC.1266365	3268369 - 1266365	79320	3715 7447 00	SEAL HOLDER	3
	8	BMC.1177489	1177489	79321	3715 7446 00	OIL SEAL, PISTON ROD	9 Qty
	9	BMC.1248369	1248369	79114	3715 7411 00	BEARING HOUSING, BLIND	2 Qty
	10	BMC.A91675	A91675	75044	3715 7412 00	GASKET, BEARING HOUSING	2 Qty
















BUMEKS®
GEAR INDUSTRY

BMCW1122

Piston Pump

BMC DRILL

Image#	Item#	Bumeks#	Fmc BEAN#	Boart Longyear#	Atlas Copco#	Description	Qty
	11	BMC.1252595	1252595	79113	3715 7413 00	SHIM	6 Qty
	12	BMC.P508969	P508969	79123	3715 7451 00	BACK COVER	1 Qty
	13	BMC.P508966	P508966	75045	3715 7450 00	GASKET, BACK COVER	1 Qty
	14	BMC.A5054	A5054	79081	3715 7387 00	FILLER CAP OR VENT	1 Qty
	15	BMC.1177473	1177473	79121	3715 7409 00	BEARING CONE, CRANK	2 Qty
	16	BMC.1177474	1177474	79120	3715 7410 00	BEARING CUP, CRANK	2 Qty
	17	B000.000930	P511596 - P513120 1266790 - 34654	79116	3715 7408 00	PINION SHAFT	1 Qty
	18	BMC.A80795	A80795 - P508916	79108	3715 7415 00	PINION HOUSING, BLIND	1 Qty
	19	BMC.1266789	5257338 - 1266789	79109	3715 7414 00	PINION HOUSING, DRIVE	1 Qty
	20	BMC.P511746	P511746 - 1272558	75081	0502 2108 00	BEARING, PINION	2 Qty
	21	BMC.A91674	A91674	75043	3715 7416 00	GASKET, PINION	2 Qty
	22	BMC.5257339	5257339			OIL SEAL, ROTABNG	1 Qty
	23	BMC.1266323	1266323	79326	3715 7433 00	SEAL RETAINER NUT	3 Qty

BMCW1122

Piston Pump

BMC DRILL

Image#	Item#	Bumeks#	Fmc BEAN#	Boart Longyear#	Atlas Copco#	Description	Qty
	24	BMC.3268418	3268418 - 19510	79748	3715 7448 00	GASKET, SEAL RETAINER	3 Qty
	25	BMC.1182554	1103470 - 1182554 - 1182004	79904	3715 7425 00	PISTON SETSCREW	3 Qty
	26	BMC.5260567	5260567 - 1215009		3715 7406 00	PLATE, INSPECTION	1 Qty
	27	BMC.3226710	3226710 - 568-252-9			O-RING	2 Qty
	28	BMC.1100804	1100804 - 0408BHHZG5			CAP SCREW	2 Qty
	29	BMC.1100055	1100054 - 1100055 - 0816BHHZG5	79107	0144 3363 03	CAP SCREW, PINION BEARING	12
	30	BMC.1106980	1106980 - 0812BHHZG5	44529	0144 3360 03	CAP SCREW, BACK COVER	18 Qty
	31	BMC.1104349	1104349		3715 7337 00	KEY	1
	32	BMC.1187048	1187048	79112	3715 7449 00	PIPE PLUG MAGNETIC, POWER END	2 Qty
	33	BMC.3269460	3269460 - 1187039	79098	3715 7452 00	BACK COVER PETCOCK	1 Qty
	34	BMC.1284777	1284777	79325	3715 7443 00	FLUID CHAMBER /VALVE CHAMBER	1 Qty
	35	BMC.1284740	1284740	79324	3715 7441 00	SEAT, VALVE	6 Qty
	36	BMC.1101419	1101419	26157	3715 7440 00	BALL, VALVE	6 Qty

BMCW1122

Piston Pump

BMC DRILL

Image#	Item#	Bumeks#	Fmc BEAN#	Boart Longyear#	Atlas Copco#	Description	Qty
	37	BMC.1267586	1267586	79103	3715 7431 00	CERAMIC CYLINDER	3 Qty
	38	BMC.A268N	A268N - 5260221	79606	3715 7427 00	PISTON CUP	3 Qty
	39	BMC.A91663	A91663	75037	3715 7428 00	PISTON HOLDER	3 Qty
	40	BMC.1216753	1216753	75062	3715 7430 00	PISTON RETAINER/WASHER	3 Qty
	41	BMC.1285112	1285112	79460	3715 7435 00	CYLINDER COVER	3 Qty
	42	BMC.1279674	1279674	75071	3715 7436 00	GASKET, CYLINDER COVER	3 Qty
	43	BMC.A80392	A80392	79101	3715 7434 00	CLAMP, CYLINDER	3 Qty
	44	BMC.1285113	1285113	75034	3715 7404 00	VALVE COVER	3 Qty
	45	BMC.1279675	1279675	75069	3715 7405 00	GASKET, VALVE COVER	3 Qty
	46	BMC.A80391	A80391	78541	3715 7437 00	CLAMP, VALVE COVER	3 Qty
	47	BMC.1279676	1279676	75070	3715 7432 00	GASKET, FLUID CYLINDER	6 Qty
	48	BMC.14025037		44525	0144 3360 03	SCREW, CRANK	2 Qty
	49	BMC.1101176	1101176	79327	3715 7396 00	O-RING, ROD SEA	3 Qty



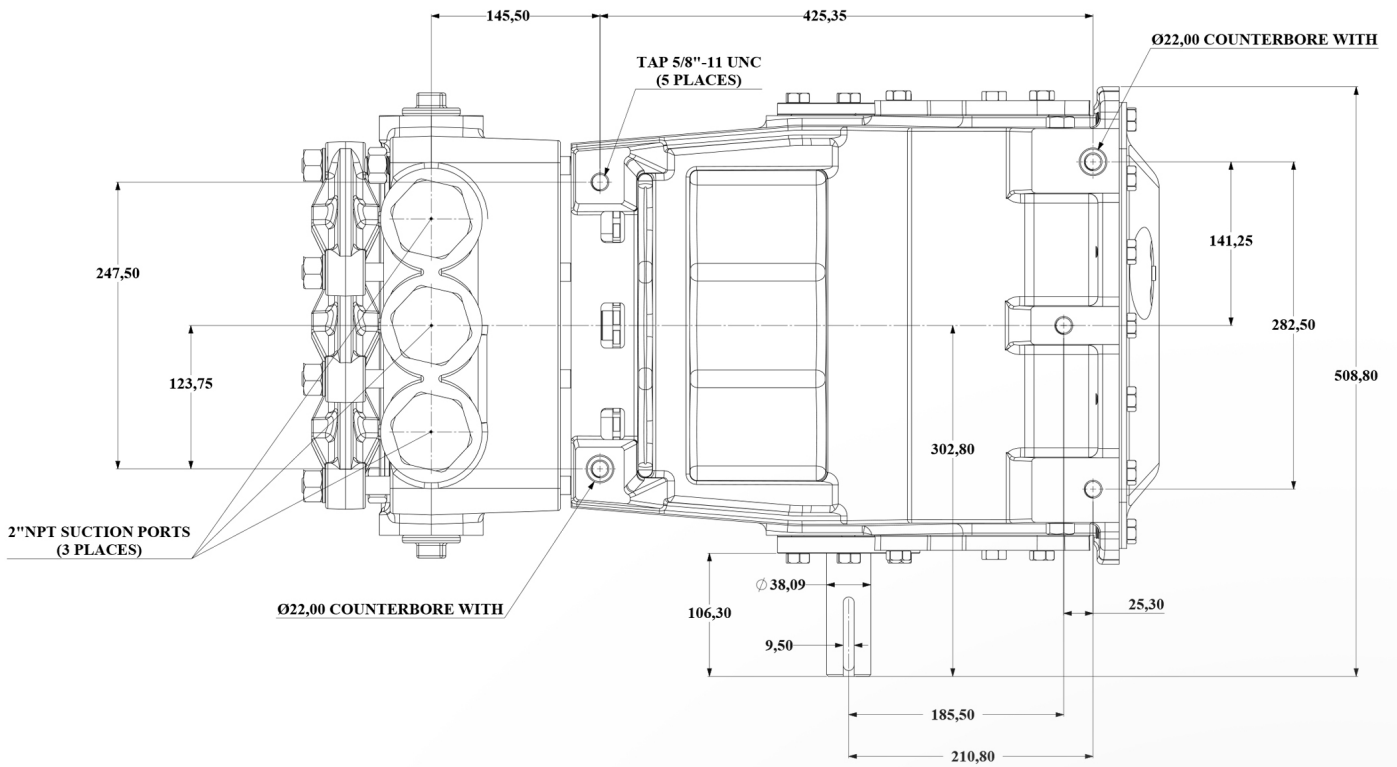
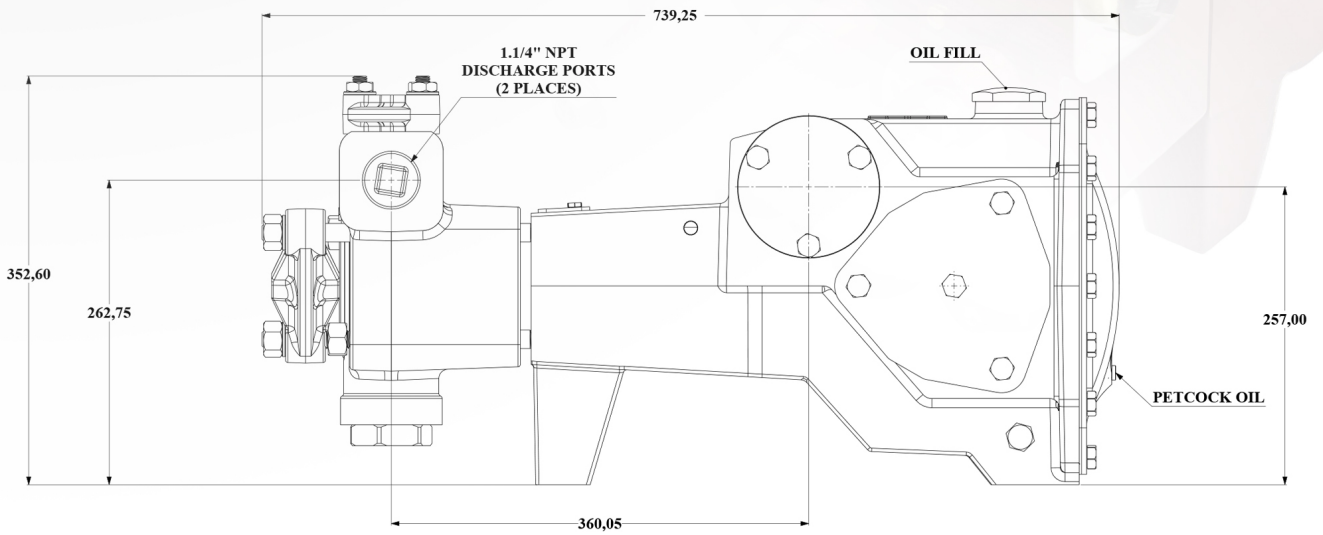
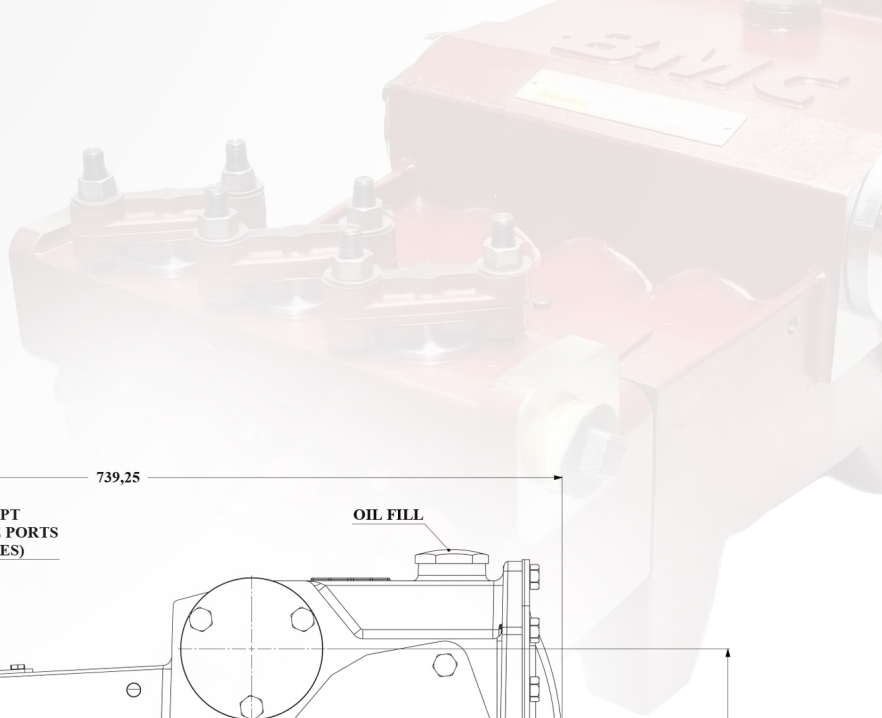
BUMEKS
GEAR INDUSTRY

BMCW1122

Piston Pump

BMC DRILL

Image#	Item#	Bumeks#	Fmc BEAN#	Boart Longyear#	Atlas Copco#	Description	Qty
	50	BMC.A5016	A5016	75012	3715 7367 00	PLUNGER NUT	3 Qty
	51	BMC.1121511	1121511 - 08NHZGR5	75052	0268 3110 00	HEX NUT, VALVE COVER	6 Qty
	52	BMC.1121513	1121513 - 10NHZ	75054	0268 3110 00	HEX NUT, CLAMP, FLUID CHAMBER AND FRONT	8 Qty
	53	BMC.8309	8309	75027	3715 7361 00	HEX NUT	3 Qty
	54	BMC.1187630	1187630	75050	3715 7926 00	PIPE PLUG	1 Qty
	55	BMC.P501267	BI-109-A - 1109973 - P50126			PIPE PLUG, FLUID CHAMBER	6 Qty
	56	BMC.1105121	1105121		3715 7927 00	PLUG, SUCBON	2 Qty
	57	BMC.1248372	A5076 - 1248372	75022	3715 7442 00	STUD, VALVE COVER	6 Qty
	58	BMC.A91672	A91672	75042	3715 7439 00	STUD, FLUID CYLINDER	2 Qty
	59	BMC.1279602	1279602	75041	3715 7438 00	STUD, CYLINDER COVER	6 Qty
	60	BMC.1107385	1107385			WASHER, TOP CLAMP	6
	61	BMC.1107386	1107386			WASHER, CHAMBER AND FRONT CLAMP	6
	62	BMC.8061				WASHER, BLIND, FLUID CHAMBER	6 Qty



BMC DRILL



This brochure contains general information and pictures about BUMEKS GEAR CO.LTD. and its products. They might be subject to change and modification. Bumeks Gear reserves the right to change specifications and design of its products without notice. While Bumeks Gear products are of high quality, they are not originals. Bumeks Gear doesn't have any affiliation to OEM companies and brands described in this brochure. All the OEM numbers and trademark names are used for reference purposes only and belong to their respective owners.




BUMEKS®

BMC DRILL

Büyükkayacık Osb Mah. 407 Nolu sk. No : 4 Selçuklu / Konya

 +90 505 039 45 67

 eng/esp : sales3@bumeks.com.tr

 +90 505 911 21 42

 русский : sales2@bumeks.com.tr



www.bumeks.com.tr



info@bmcd drill.com