

Bumeks Gear Industry

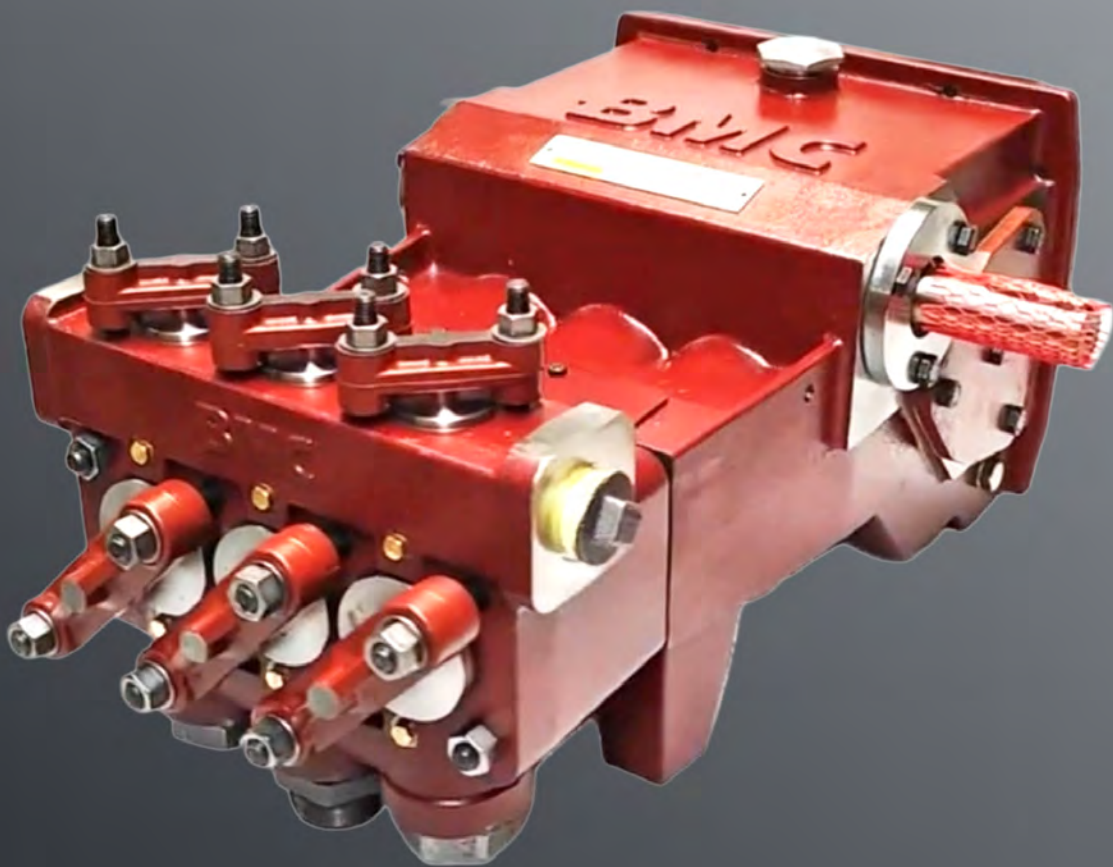
Triplex Mud Pump



BUMEKS[®]
GEAR INDUSTRY

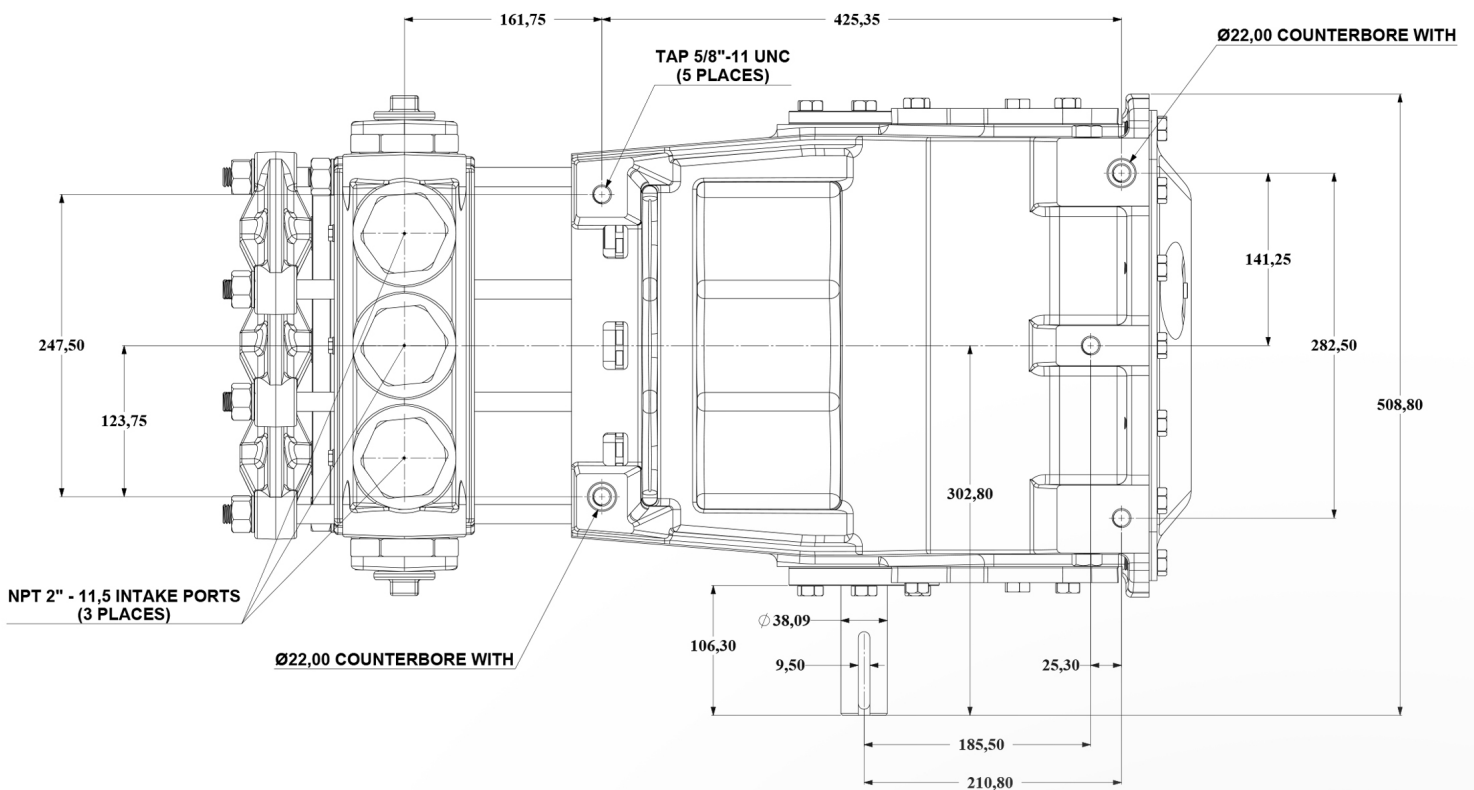
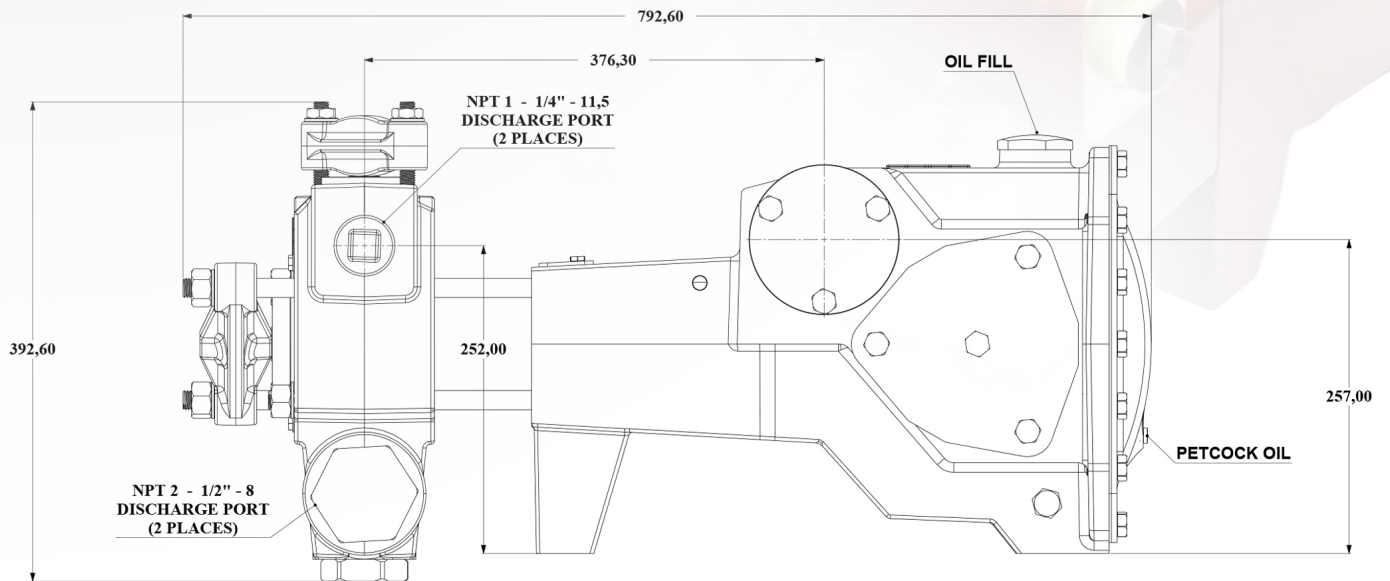
BMC DRILL

TRIPLEX MUD PUMP



BMC L1122

BEAN 450





Shift to Higher GEAR

BUMEKS[®]

GEAR INDUSTRY





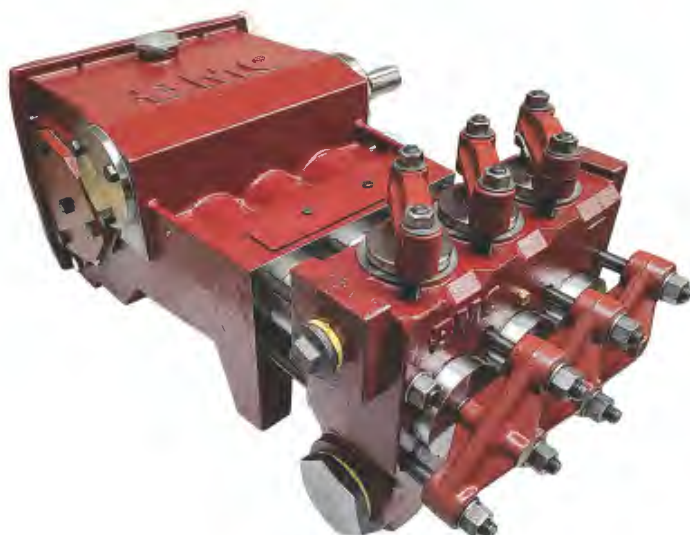
BUMEKS®
GEAR INDUSTRY

BMCL1122 Piston Pump

BMC DRILL

BMCL1122 Piston Pump Data

37 BHP Continuous Duty (52 BHP Intermittent Duty)



| Specifications | |
|--------------------------------|-------------------------------|
| Pump Model | BMCL1122 |
| Configuration | Horizontal Triplex Piston |
| Number of Pistons | 3 |
| Stroke Length | 2.75 Inches (69.9 mm) |
| Frame Load Rating | 6000 lbs. (2.724 kg) |
| Pump Weight | 460 lbs. (209 kg) |
| Direction of Rotation | Top of Shaft away from head |
| Internal Gear Rotation | 3.6:1 |
| Intermittent Duty Speed Rating | 1,275 RPM (Jackshaft) |
| Continuous Duty Speed Rating | 900 RPM (Jackshaft) |
| Ball Valve Max Speed Rating | 690 RPM (Jackshaft) |
| Minimum Speed | 360 RPM |
| Mechanical Efficiency | 85% |
| Lubrication System | Splash, Gravity Return |
| Lube Oil Capacity | 1 Gallon |
| Lube Oil Type | SAE 30 |
| Maximum Fluid Temperature | 140°F (250° Capability) |
| Minimum Fluid Temperature | 0°F (-20° Capability) |
| Standard Suction Size | 2.50 Inch NPT (63.5 mm) |
| Standard Discharge Size | 1.25 Inch NPT (31.8 mm) |
| Fluid End Material | Ductile Iron |
| Valve Type | Disc Valves/ Ball Valves |
| Hydraulic Motor Mount | SAE C - 4 Bolt with 1.25"-14T |

Performance Rating

| Pump Model | Piston | | Displacement/REV | | Maximum Pressure | | Pump Capacity @ Input Speed (RPM) | | | | | | | | | |
|------------|--------|------|------------------|-------|------------------|--------------------|-----------------------------------|-----|---------|-----|---------|-----|---------|-----|----------|-----|
| | Inch | mm | Gallon | Liter | PSI | kg/cm ² | 350 RPM | | 690 RPM | | 800 RPM | | 900 RPM | | 1275 RPM | |
| | | | | | | | gpm | lpm | gpm | lpm | gpm | lpm | gpm | lpm | gpm | lpm |
| BMCL1122 | 2.75 | 69.9 | 0.0589 | 0.223 | 1,000 | 70.3 | 20.6 | 78 | 40.7 | 154 | 47.1 | 179 | 53 | 201 | 75.1 | 285 |

Specifications subject to change without notice.

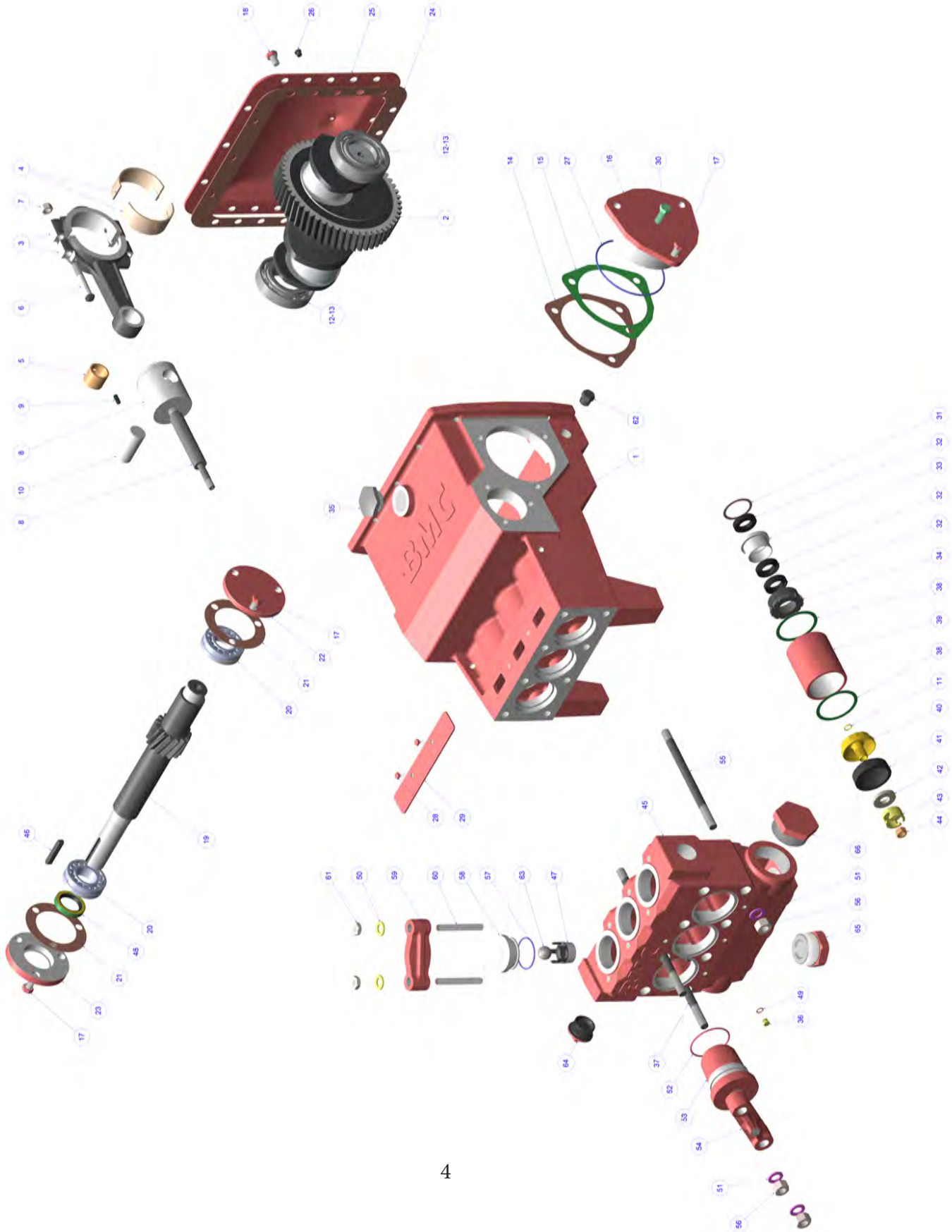
Horsepower is based on 85 or 90% efficiency. Actual application horsepower requirements can be calculated using this equation: BHP = (GPM*PSI)/(1714*0.85 or 0.90) Pump capacities listed are based on 100% volumetric efficiency.



BUMEKS
GEAR INDUSTRY

BMCL1122 Piston Pump

BMC DRILL



BMCL1122 Piston Pump

BMC DRILL

| Image# | Item# | Bumeks# | Fmc BEAN# | Boart Longyear# | Atlas Copco# | Description | Qty |
|-------------------------------------------------------------------------------------|-------|-------------|-----------------------------------|-----------------|--------------|-----------------------------|-------|
|  | 1 | BMC.5257698 | 5257698 | 3715 7445 00 | 79105 | PUMP CASE | 1 Qty |
|  | 2 | BMC.1285094 | 1285094 | 3715 7407 00 | 79328 | CRANK SHAFT | 1 Qty |
|  | 3 | BMC.5266814 | 5266814 | 3715 7417 00 | 75077 | CONNECTING ROD ASSEMBLY | 3 Qty |
|  | 4 | BMC.P514965 | P514965 1280910 | 3715 7421 00 | 75033 | ROD BEARING- BEARING INSERT | 3 Qty |
|  | 5 | BMC.9226 | 9226 | 3715 7418 00 | 75032 | BUSHING, CONNECTING ROD | 3 Qty |
|  | 6 | BMC.18744 | 18744 | 3715 7419 00 | 78547 | CONNECTING ROD SCREW | 6 Qty |
|  | 7 | BMC.1101270 | 1101270 | 3715 7420 00 | 79199 | CONNECTING ROD NUT | 6 Qty |
|  | 8 | BMC.1252939 | 1252939 | 3715 7424 00 | 75072 | CROSSHEAD ASSEMBLY | 3 Qty |
|  | 9 | BMC.1182554 | 1103470 - 1182554 - 1182004 | 3715 7425 00 | 79904 | PISTON SETSCREW | 3 Qty |
|  | 10 | BMC.A91014 | A91014 | 3715 7422 00 | 75076 | WRIST PIM | 3 Qty |
|  | 11 | BMC.1101176 | 1101176 | 3715 7396 00 | 79327 | CROSS ROD O-RING | 3 Qty |
|  | 12 | BMC.1177473 | 1177473 | 3715 7409 00 | 79121 | BEARING CONE, CRANK | 2 Qty |
|  | 13 | BMC.1177474 | 1177474 | 3715 7410 00 | 79120 | BEARING CUP, CRANK | 2 Qty |

BMCL1122

Piston Pump

BMC DRILL

| Image# | Item# | Bumeks# | Fmc BEAN# | Boart Longyear# | Atlas Copco# | Description | Qty |
|-------------------------------------------------------------------------------------|-------|-------------|------------------------------------------|-----------------|--------------|---------------------------|--------|
|  | 14 | BMC.A91675 | A91675 | 3715 7412 00 | 75044 | GASKET, BEARING HOUSING | 2 Qty |
|  | 15 | BMC.1252595 | 1252595 | 3715 7413 00 | 79113 | SHIM | 6 Qty |
|  | 16 | BMC.1248369 | 1248369 | 3715 7411 00 | 79114 | BEARING HOUSING, BLIND | 2 Qty |
|  | 17 | BMC.1100055 | 1100054 - 1100055 - 0816BHHZG5 | BMC.1100055 | 79107 | CAP SCREW, PINION BEARING | 12 |
|  | 18 | BMC.1106980 | 1106980 - 0812BHHZG5 | 0144 3360 03 | 44529 | CAP SCREW, BACK COVER | 18 Qty |
|  | 19 | B000.000930 | P511596 P513120 1266790 - 34654 | 3715 7408 00 | 79116 | PINION SHAFT | 1 Qty |
|  | 20 | BMC.P511746 | P511746 1272558 | 0502 2108 00 | 75081 | BEARING, PINION | 2 Qty |
|  | 21 | BMC.A91674 | A91674 | 3715 7416 00 | 75043 | GASKET, PINION | 2 Qty |
|  | 22 | BMC.A80795 | A80795 - P508916 | 3715 7415 00 | 79108 | PINION HOUSING, BLIND | 1 Qty |
|  | 23 | BMC.1266789 | 5257338 - 1266789 | 3715 7414 00 | 79109 | PINION HOUSING, DRIVE | 1 Qty |
|  | 24 | BMC.P508966 | P508966 | 3715 7450 00 | 75045 | GASKET, BACK COVER | 1 Qty |
|  | 25 | BMC.P508969 | P508969 | 3715 7451 00 | 79123 | BACK COVER | 1 Qty |
|  | 26 | BMC.3269460 | 3269460 - 1187039 | 3715 7452 00 | 79098 | BACK COVER PETCOCK | 1 Qty |

BMC DRILL

| Image# | Item# | Bumeks# | Fmc BEAN# | Boart Longyear# | Atlas Copco# | Description | Qty |
|-------------------------------------------------------------------------------------|-------|-----------------------------|--------------------------------|-----------------|--------------|------------------------|-------|
|  | 27 | BMC.3226710 | 3226710 - 568 - 252-90 | | | O-RING | 2 Qty |
|  | 28 | BMC.1100804 | 1100804 - 0408BHHZG5 | | | CAP SCREW | 2 Qty |
|  | 29 | BMC.5260567 | 5260567 - 1215009 | 3715 7406 00 | | PLATE, INSPECTION | 1 Qty |
|  | 30 | BMC.14025037 BMC.1106980 | 0812BHH1G5 - 1106980 | 0144 3360 03 | 44529 | SCREW, CRANK | 2 Qty |
|  | 31 | BMC.3268418 | 3268418 - 19510 | 3715 7448 00 | 79748 | GASKET, SEAL RETAINER | 3 Qty |
|  | 32 | BMC.1177489 | 1177489 | 3715 7446 00 | 79321 | OIL SEAL, PISTON ROD | 9 Qty |
|  | 33 | BMC.1266365 | 3268369 - 1266365 | 3715 7447 00 | 79320 | SEAL HOLDER | 3 Qty |
|  | 34 | BMC.1266323 | 1266323 | 3715 7433 00 | 79326 | SEAL RETAINER NUT | 3 Qty |
|  | 35 | BMC.A5054 | A5054 | 3715 7387 00 | 79081 | FILLER CAP OR VENT | 1 Qty |
|  | 36 | BMC.P501267 | BI-109-A 1109973 P501267 | | | PIPE PLUG | 4 Qty |
|  | 37 | BMC.5251859 | 5251859 | | | Stud, Cylinder Cover | 6 Qty |
|  | 38 | BMC.1279676 | 1279676 | 3715 7432 00 | 75070 | GASKET, FLUID CYLINDER | 6 Qty |
|  | 39 | BMC.1267586 | 1267586 | 3715 7431 00 | 79103 | CERAMIC CYLINDER | 3 Qty |

BMC DRILL

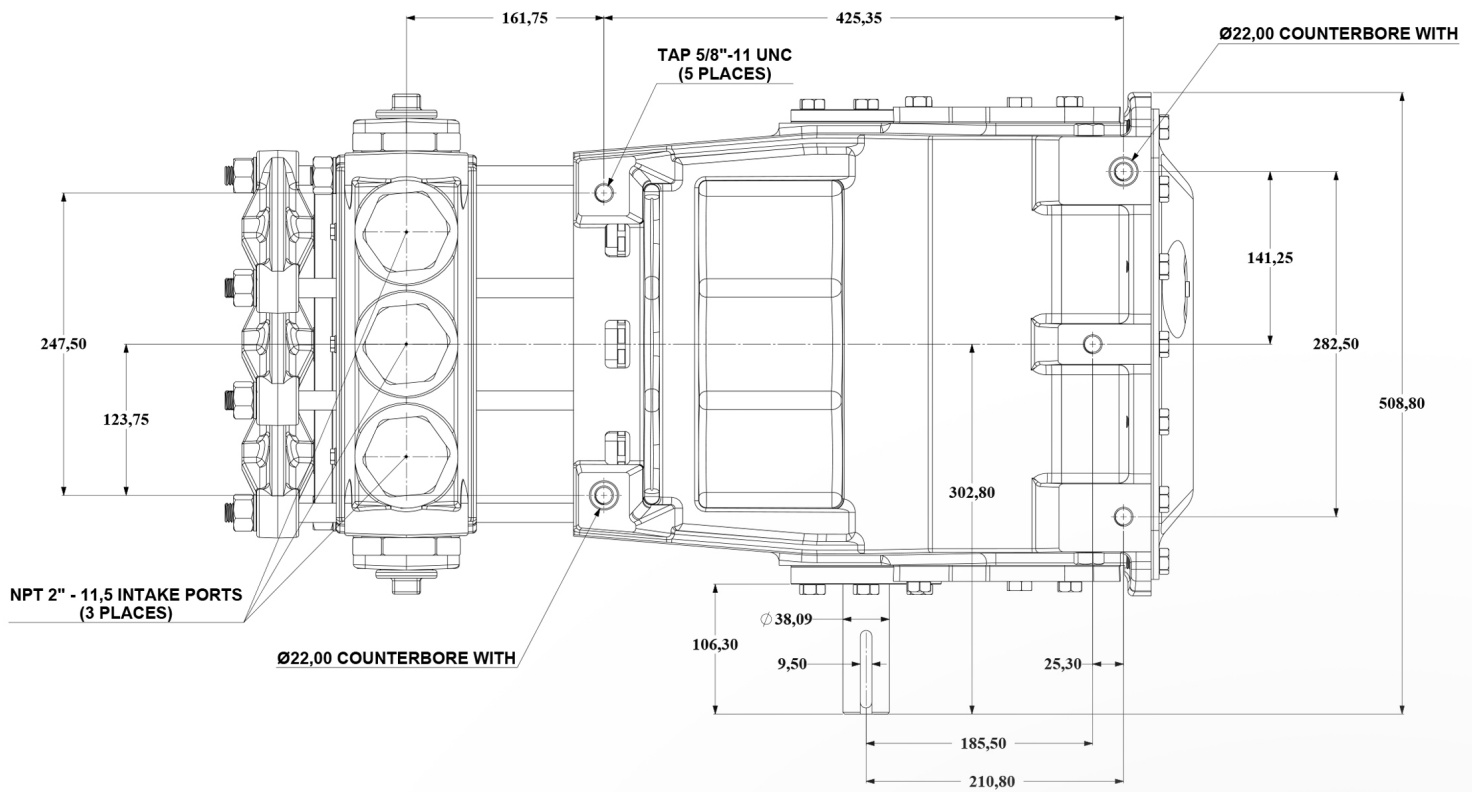
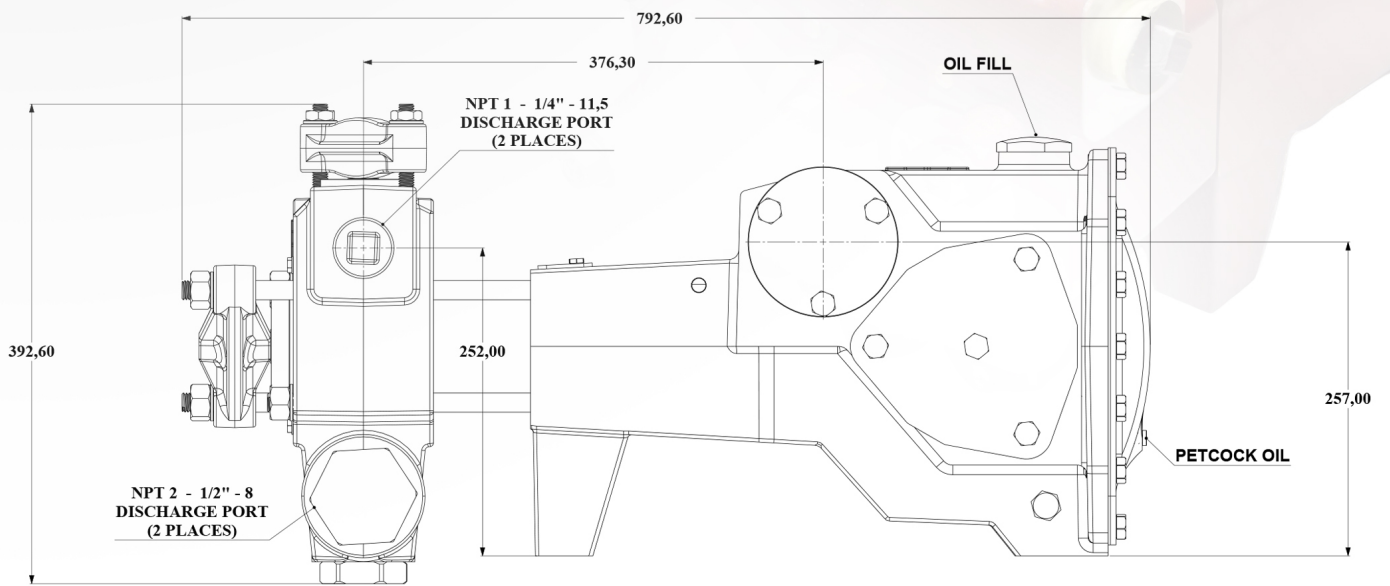
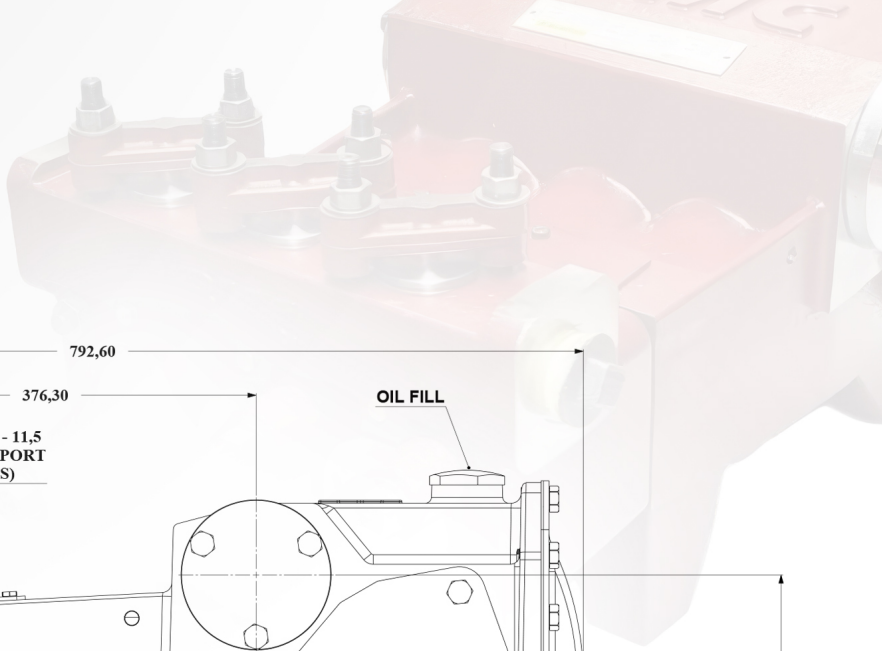
| Image# | Item# | Bumeks# | Fmc BEAN# | Boart Longyear# | Atlas Copco# | Description | Qty |
|-------------------------------------------------------------------------------------|-------|-------------|----------------------|-----------------|--------------|---------------------------------|-------|
|  | 40 | BMC.A91663 | A91663 | 3715 7428 00 | 75037 | PISTON HOLDER | 3 Qty |
|  | 41 | BMC.A268N | A268N - 5260221 | 3715 7427 00 | 79606 | PISTON CUP | 3 Qty |
|  | 42 | BMC.1216753 | 1216753 | 3715 7430 00 | 75062 | PISTON RETAINER/WASHER | 3 Qty |
|  | 43 | BMC.A5016 | A5016 | 3715 7367 00 | 75012 | NUT RETAINER, PLUNGER | 3 Qty |
|  | 44 | BMC.8309 | 8309 | 3715 7361 00 | 75027 | HEX NUT | 3 Qty |
|  | 45 | BMC.5257262 | 5257262 | | | FLUID CHAMBER /VALVE CHAMBER | 1 Qty |
|  | 46 | BMC.1104349 | 1104349 | 3715 7337 00 | | KEY | 1 |
|  | 47 | BMC.1284740 | 1284740 | 3715 7441 00 | 79324 | SEAT, VALVE | 6 Qty |
|  | 48 | BMC.5257339 | 5257339 | | | OIL SEAL, ROTABNG | 1 Qty |
|  | 49 | BMC.8061 | | | | WASHER,BLIND,FLUID CHAMBER | 4 Qty |
|  | 50 | BMC.1107385 | 1107385 | | | WASHER, TOP CLAMP | 6 Qty |
|  | 51 | BMC.1107386 | 1107386 | | | WASHER, CHAMBER AND FRONT CLAMP | 8 Qty |
|  | 52 | BMC.1177476 | 1177476 - 568 233-90 | | | O-RING CYLINDER COVER | 3 Qty |

BMCL1122

Piston Pump

BMC DRILL

| Image# | Item# | Bumeks# | Fmc BEAN# | Boart Longyear# | Atlas Copco# | Description | Qty |
|-------------------------------------------------------------------------------------|-------|-------------|----------------------|-----------------|--------------|------------------------------------------|-------|
|  | 53 | BMC.1283531 | 1283531 | | | CYLINDER COVER | 3 Qty |
|  | 54 | BMC.A80392 | A80392 | 3715 7434 00 | 79101 | CLAMP, CYLINDER | 3 Qty |
|  | 55 | BMC.1248349 | 1248349 | | | STUD, FLUID CYLINDER | 2 Qty |
|  | 56 | BMC.1121513 | 1121513 - 10NHZ | 0268 3110 00 | 75054 | HEX NUT, CLAMP, FLUID CHAM-BER AND FRONT | 8 Qty |
|  | 57 | BMC.1181154 | 1181154 - 568-227-90 | | | O-RING VALVE COVER | 3 Qty |
|  | 58 | BMC.1283530 | 1283530 | | | VALVE COVER | 3 Qty |
|  | 59 | BMC.1247716 | 1247716 | | | CLAMP, VALVE COVER | 3 Qty |
|  | 60 | BMC.1248372 | A5076 1248372 | 3715 7442 00 | 75022 | STUD, VALVE COVER | 6 Qty |
|  | 61 | BMC.1121511 | 1121511 - 08NHZGR5 | "0268 3110 00 | | OIL SEAL, ROTABNG | 1 Qty |
|  | 62 | BMC.1187048 | 1187048 | 3715 7449 00 | 79112 | PIPE PLUG MAGNETIC, POWER END | 2 Qty |
|  | 63 | BMC.1101419 | 1101419 | 3715 7440 00 | 26157 | BALL, VALVE | 6 Qty |
|  | 64 | BMC.1187630 | 1187630 | 3715 7926 00 | 75050 | PIPE PLUG | 1 Qty |
|  | 65 | BMC.1105121 | 1105121 | 3715 7927 00 | | PLUG, SUCBON | 2 Qty |
|  | 66 | BMC.1105133 | 1105133 | | | PLUG | 1 Qty |



BMC DRILL




This brochure contains general information and pictures about BUMEKS GEAR CO.LTD. and its products. They might be subject to change and modification. Bumeks Gear reserves the right to change specifications and design of its products without notice. While Bumeks Gear products are of high quality, they are not originals. Bumeks Gear doesn't have any affiliation to OEM companies and brands described in this brochure. All the OEM numbers and trademark names are used for reference purposes only and belong to their respective owners.



BUMEKS®

BMC DRILL


Büyükkayacık Osb Mah. 407 Nolu sk. No : 4 Selçuklu / Konya

 +90 505 039 45 67

 eng/esp : sales3@bumeks.com.tr

 +90 505 911 21 42

 русский : sales2@bumeks.com.tr

 www.bumeks.com.tr  info@bmcd drill.com