

Bumeks Gear Industry

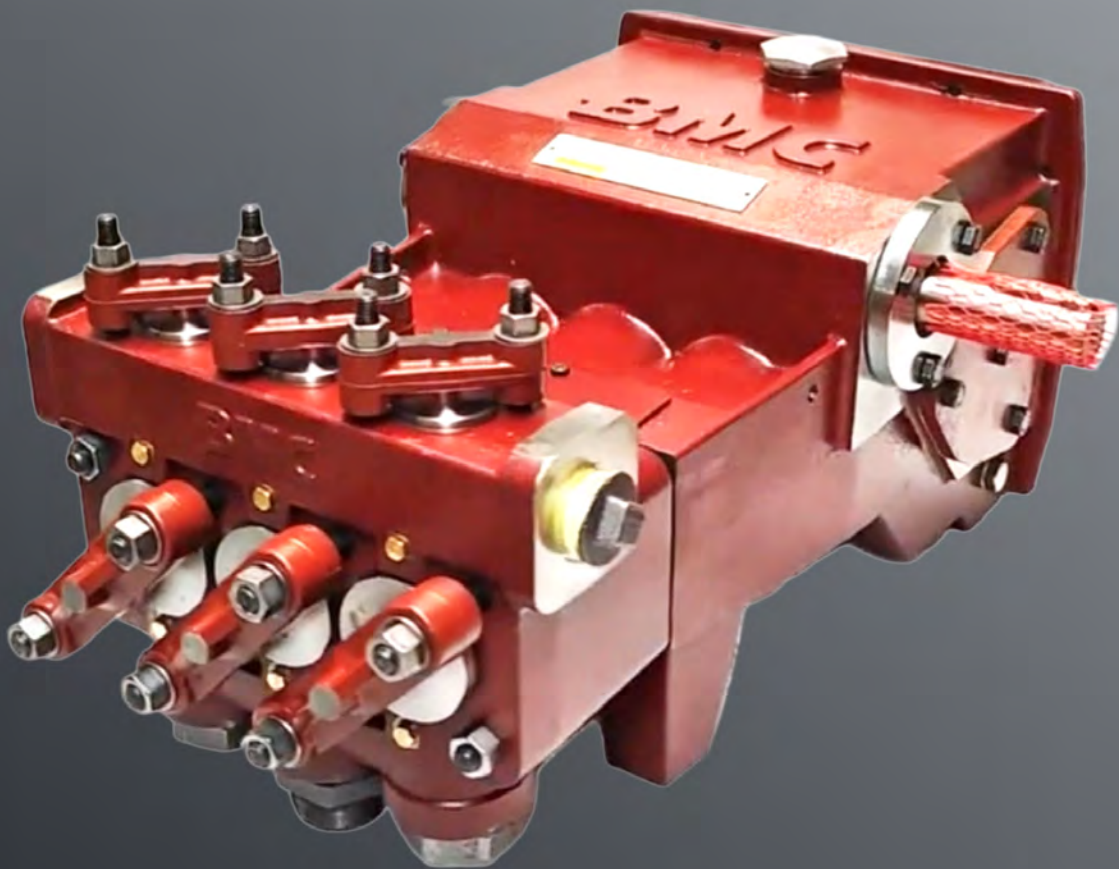
Triplex Mud Pump



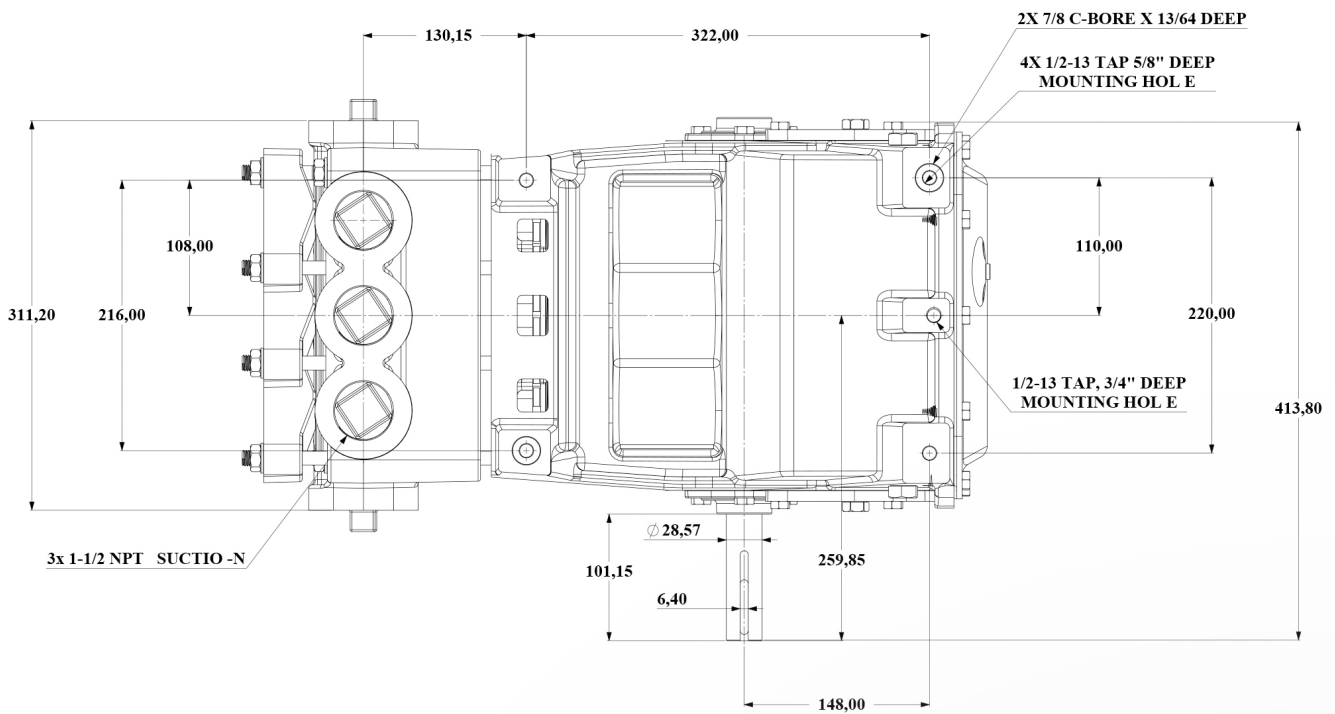
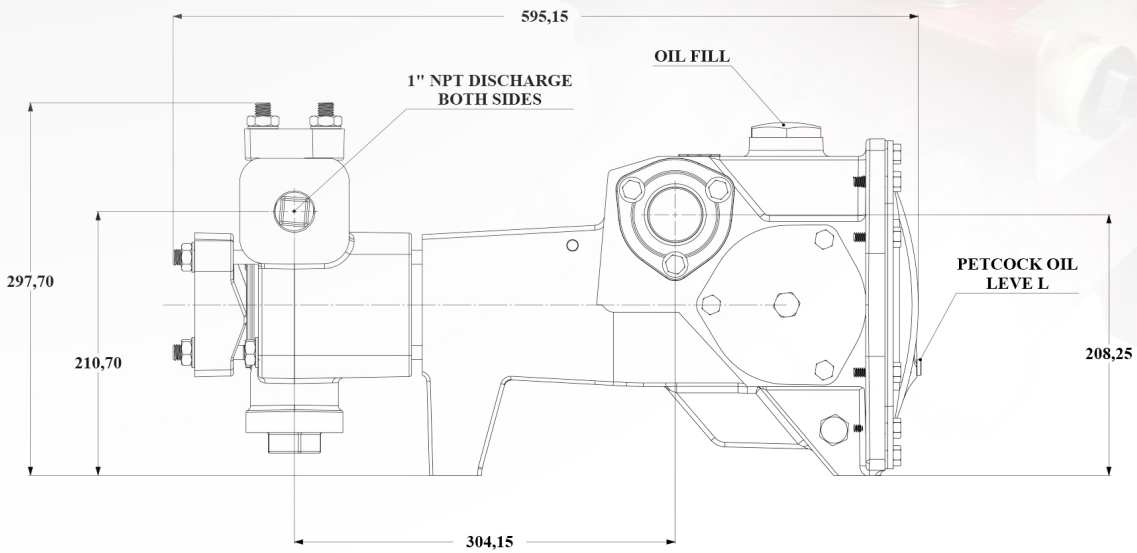
BUMEKS[®]
GEAR INDUSTRY

BMC DRILL

TRIPLEX MUD PUMP



BMC L0918
BEAN 420

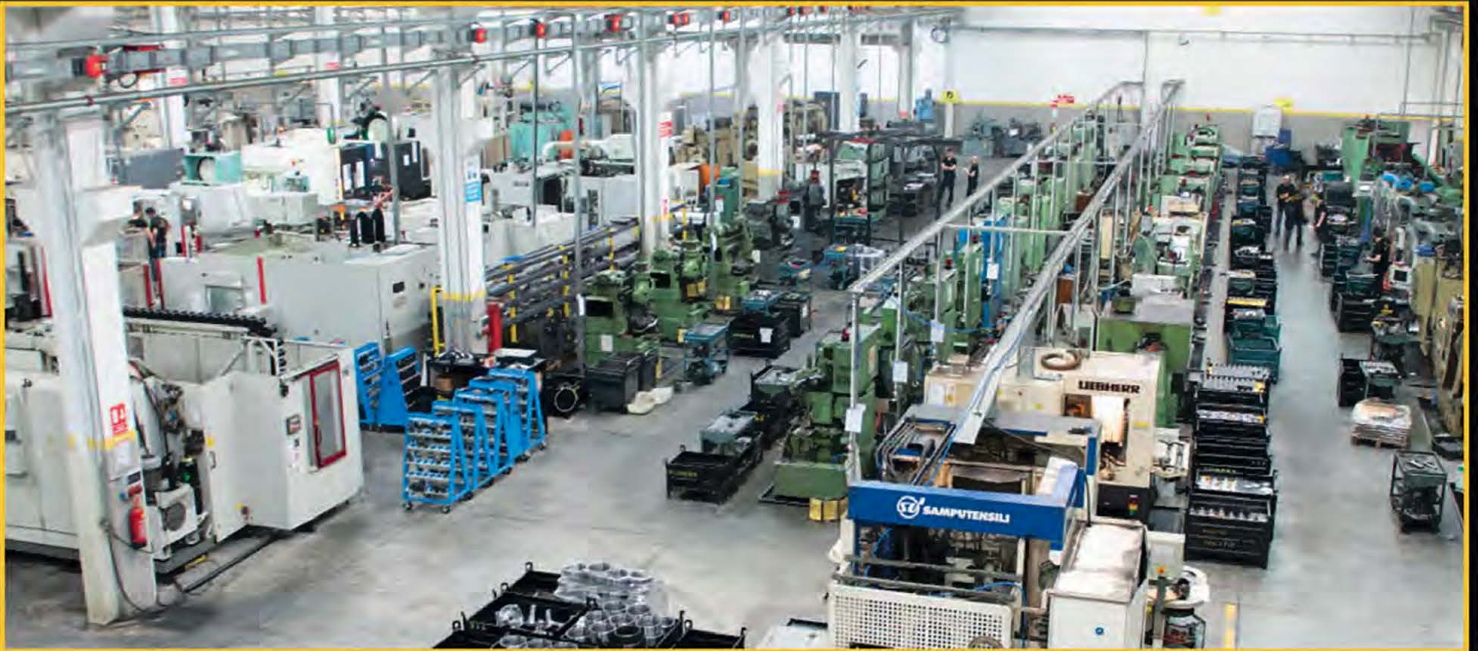


BMC DRILL



Shift to Higher GEAR

BUMEKS[®]
GEAR INDUSTRY



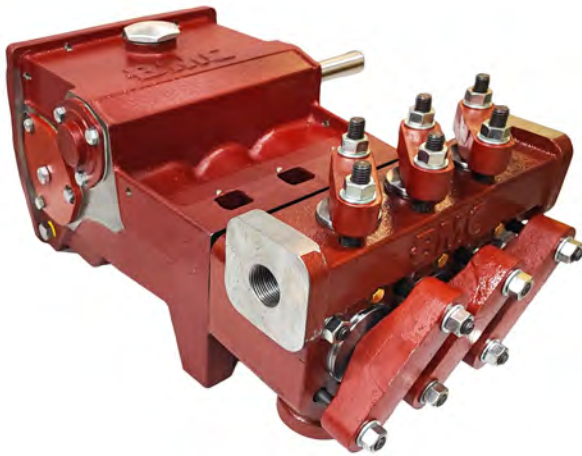
BMCL0918 Piston Pump



BMC DRILL

BMCL0918 Piston Pump Data

11.6 BHP Continuous Duty (13.8 BHP Intermittent Duty)



Specifications

Pump Model	BMCL0918
Configuration	Horizontal Triplex Piston
Number of Pistons	3
Stroke Length	2.25 Inches (57.2 mm)
Frame Load Rating	2800 lbs. (1,270 kg)
Pump Weight	200 lbs. (90.7 kg)
Direction of Rotation	Top of Shaft away from head
Internal Gear Rotation	3.6:1
Intermittent Duty Speed Rating	890 RPM (Jackshaft)
Continuous Duty Speed Rating	750 RPM (Jackshaft)
Ball Valve Max Speed Rating	625 RPM
Minimum Speed	360 RPM
Mechanical Efficiency	85%
Lubrication System	Splash, Gravity Return
Lube Oil Capacity	2.25 Quarts
Lube Oil Type	SAE 30
Maximum Fluid Temperature	140 °F (250 °F Capability)
Minimum Fluid Temperature	0 °F (-20 °F Capability)
Standard Suction Size	1.50 Inch NPT (38.1 mm)
Standard Discharge Size	1.00 Inch NPT (25.4 mm)
Fluid End Material	Cast Iron
Valve Type	Disc Valve / Ball Valve
Hydraulic Motor Mount	SAE C - 4 Bolt with 1.25"-14T

Performance Rating

Pump Model	Diameter		Displacement/REV		Maximum Pressure		Pump Capacity @ Input Speed (RPM)									
	Inch	mm	Gallon	Liter	PSI	kg/cm ²	350 RPM		625 RPM		700 RPM		750 RPM		890 RPM	
							gpm	lpm	gpm	lpm	gpm	lpm	gpm	lpm	gpm	lpm
BMCL0918	2.25	57.2	0.0323	0.122	700	49.2	11.3	43	20.2	76	22.6	86	24.2	92	28.7	109

Specifications subject to change without notice.

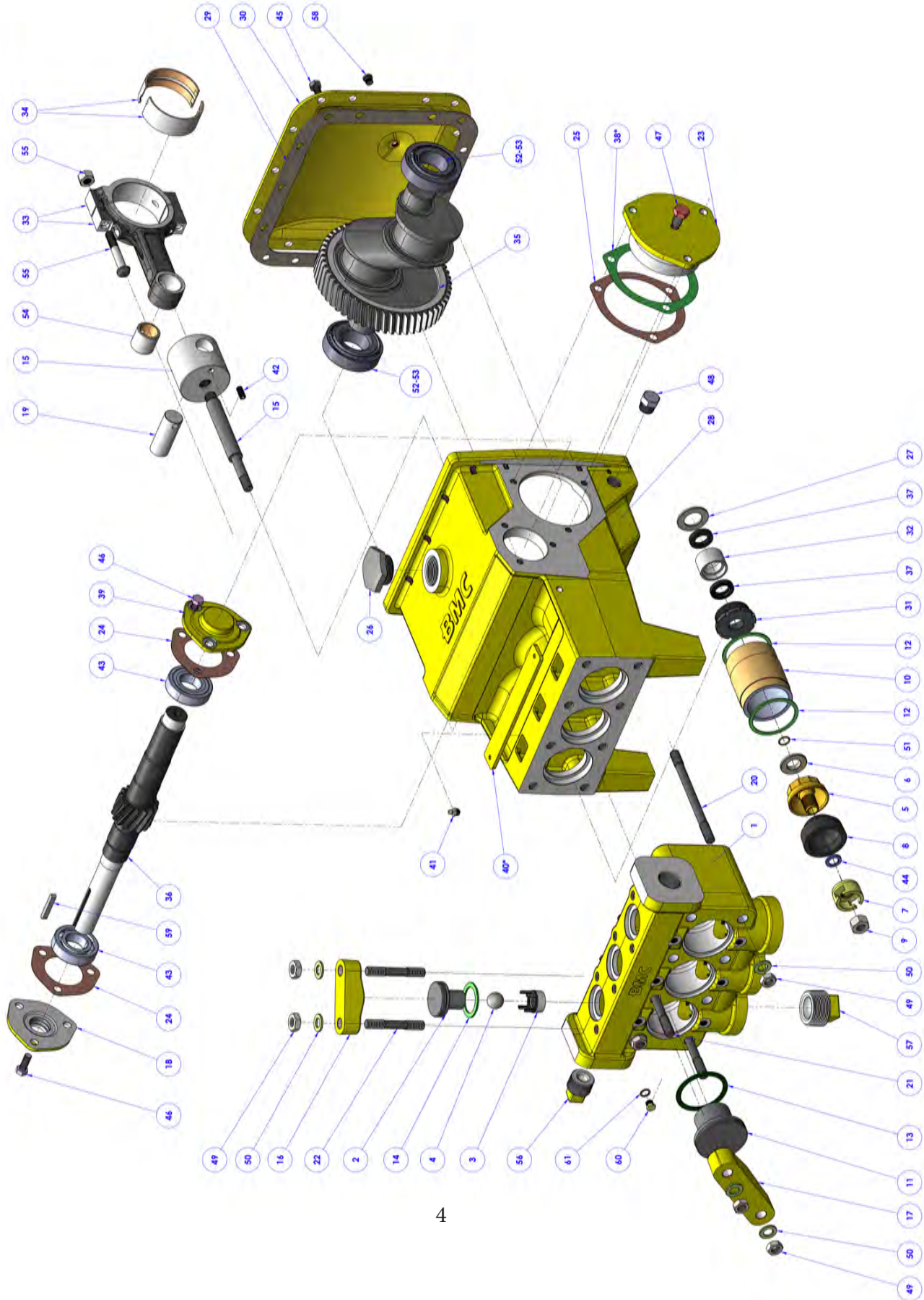
Horsepower is based on 85 or 90% efficiency. Actual application horsepower requirements can be calculated using this equation: $BHP = (GPM \cdot PSI) / (1714 \cdot 0.85 \text{ or } 0.90)$. Pump capacities listed are based on 100% volumetric efficiency.



BUMEKS
GEAR INDUSTRY

BMCL0918 Piston Pump

BMC DRILL



Image#	Item#	Bumeks#	Fmc BEAN#	Boart Longyear#	Description	Qty
	1	BMC.1255266	1255266	3715 7398-00	FLUID CHAMBER	1 Qty
	2	BMC.A5003	A5003	3715 7352-00	VALVE COVER	3 Qty
	3	BMC.1225327	1225327	3715 7350-00 - 3715 - 7362-90	VALVE SEAT	6 Qty
	4	BMC.1101418	1101418 - 1187738	3715 7351-00	BALL	6 Qty
	5	BMC.8495	8495	3715 7365-00	PISTON HOLDER	3 Qty
	6	BMC.1207289	1207289	3715 7366-00	PISTON RETAINER	3 Qty
	7	BMC.A5016	A5016	3715 7367-00	NUT RETAINER	3 Qty
	8	BMC.5260052	A3434N 5260052	3715 7364-00	PISTON CUP	3 Qty
	9	BMC.8309	8309	3715 7361-00	HEX NUT	3 Qty
	10	BMC.1272060	1272060	3715 7362-00	CERAMIC CYLINDER	3 Qty
	11	BMC.A5002	A5002	3715 7356-00	CYLINDER COVER	3 Qty
	12	BMC.1280024	1280024F	3715 7363-00	GASKET CYLINDER FIBRE	6 Qty
	13	BMC.1280025	1280025F	3715 7357-00	GASKET CYLINDER, COVER COPPER	3 Qty

BMCL0918

Piston Pump

BMC DRILL









Image#	Item#	Bumeks#	Fmc BEAN#	Boart Longyear#	Description	Qty
	14	BMC.1280026	1280026F	3715 7353-00	GASKET VALVE COVER FIBRE	3 Qty
	15	BMC.1250876	1250876	3715 7359-00	CROSSHEAD ASSEMBLY	3 Qty
	16	BMC.1271415	1271415	3715 7355-00	CLAMP, CYLINDER	3 Qty
	17	BMC.1271716	1271716	3715 7354-00	CLAMP, VALVE COVER	3 Qty
	18	BMC.A5005	A5005 P548657	3715 7382-00	PINION HOUSING, DRIVE	1 Qty
	19	BMC.A5006	A5006	3715 7373-00	WRIST PIN	3 Qty
	20	BMC.A5009	A5009	3715 7384-00	STUD, FLUID CYLINDER	2 Qty
	21	BMC.A5011	A5011	3715 7385-00	STUD, CYLINDER COVER	6 Qty
	22	BMC.A5012	A5012	3715 7386-00	STUD, VALVE COVER	6 Qty
	23	BMC.1279064	1279064	3715 7379-00	BEARING HOUSING, BLIND	2 Qty
	24	BMC.A5026	A5026	3715 7381-00	GASKET, PINION	2 Qty
	25	BMC.A5025	A5025	3715 7377-00	GASKET, BEARING HOUSING	2 Qty
	26	BMC.A5054	A5054	3715 7387-00	FILLER CAP OR VENT	1 Qty



BUMEKS®
GEAR INDUSTRY

BMCL0918 Piston Pump

BMC DRILL

Image#	Item#	Bumeks#	Fmc BEAN#	Boart Longyear#	Description	Qty
	27	BMC.1283602	1283602	3715 7388-00	GASKET, SEAL RETAINER	3 Qty
	28	BMC.5260537	5260537	3715 7389-00	POWER FRAME	1 Qty
	29	BMC.1279065	1279065	3715 7390-00	GASKET, BACK COVER	1 Qty
	30	BMC.1279063	1279063	3715 7391-00	BACK COVER	1 Qty
	31	BMC.1283600	1283600	3715 7368-00	SEAL RETAINER NUT	3 Qty
	32	BMC.1283601	1283601	3715 7392-00	SEAL HOLDER	3 Qty
	33	BMC.18710	18710	3715 7369-00	CONNECUNG ROD ASSEMBLY	3 Qty
	34	BMC.P510831	P510831 - P506697	3715 7372-00	ROD BEARING- BEARING INSERT	3 Qty
	35	BMC.1279071	1279071	3715 7374-00	CRANKSHAZ	
	36	B000.000932	1265098	3715 7380-00	PINION SHAFT	1 Qty
	37	BMC.1283603	1283603	3715 7397-00	OIL SEAL, PISTON ROD	1 Qty
	38	BMC.1252594	1252594	3715 7378-00	SHIM, BEARING HOUSING	6 Qty
	39	BMC.1225769	1225769	3715 7383-00	PINION HOUSING, BLIND	5 Qty

BMCL0918

Piston Pump

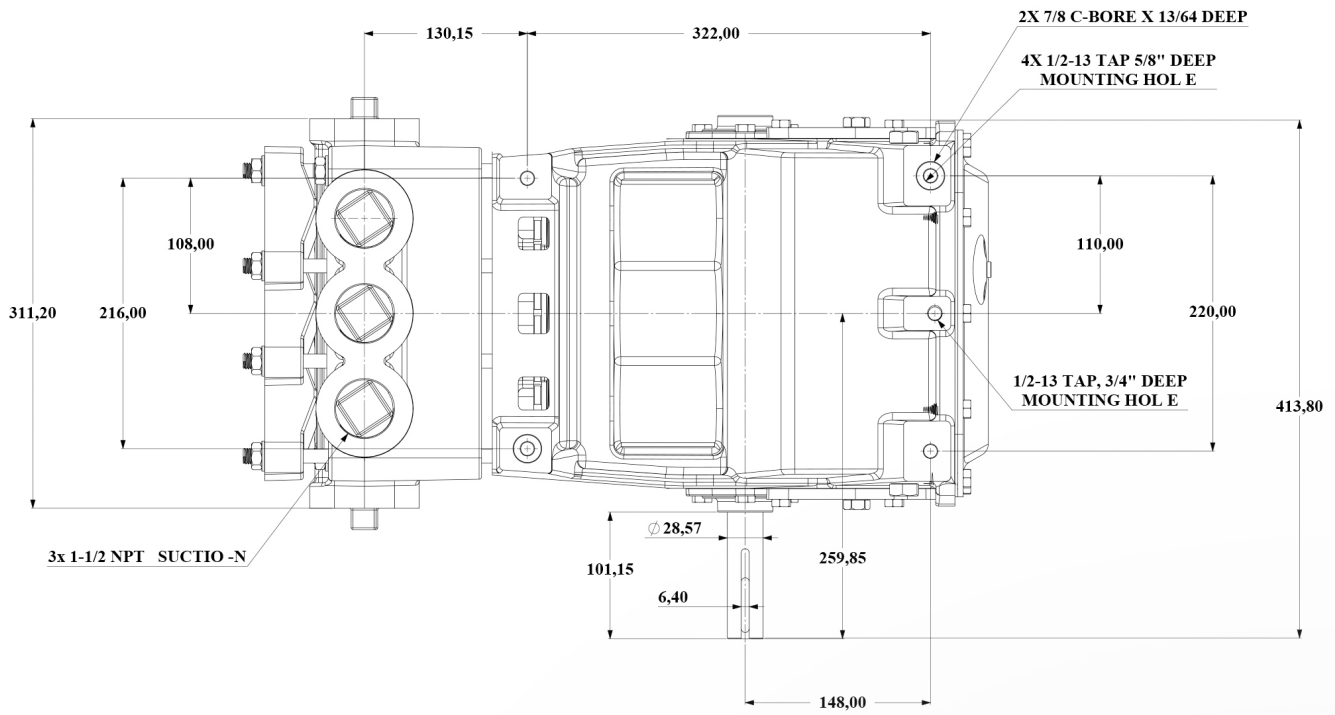
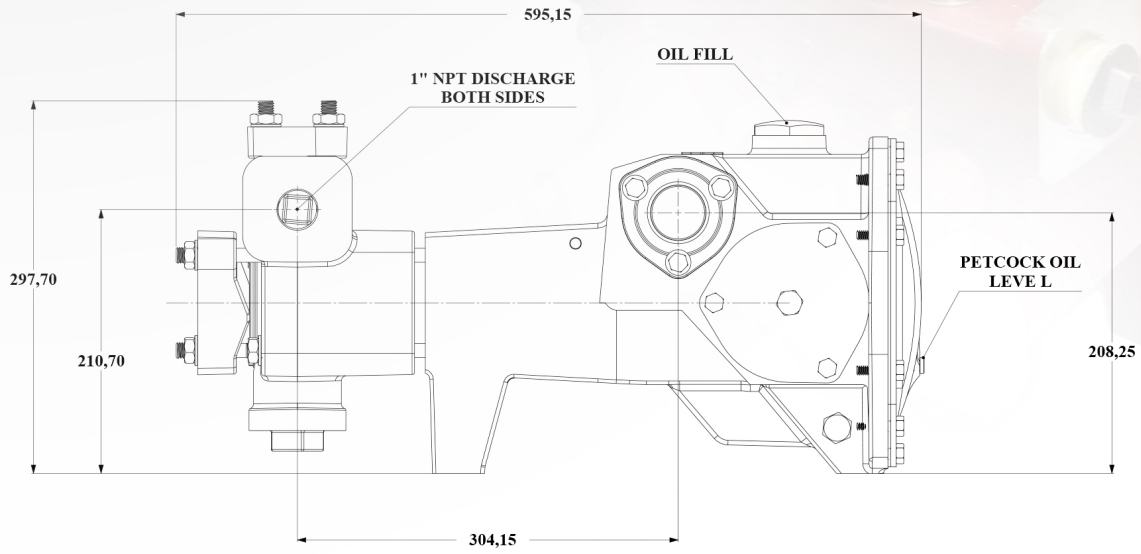
BMC DRILL

Image#	Item#	Bumeks#	Fmc BEAN#	Boart Longyear#	Description	Qty
	40	BMC.1214260	1214260	3715 7393-00	PLATE, INSPECUON	1 Qty
	41	BMC.1100759	1100759 - GF610	0544 2162-00	LUBE FI \ NG	1 Qty
	42	BMC.1182554	1103470 - 1182554 - 1182004	3715 7360-00	PİSTON SETSCREW	3 Qty
	43	BMC.1104444	1104444	0502 2106-00	BEARING, PINION	3 Qty
	44	BMC.1281655	1281655	3715 7395-00	SEAL HOLDER	2 Qty
	45	BMC.1106910	1106910 - 0608B55ZG5	0144 3282-03	CAP SCREW, BACK COVER	3 Qty
	46	BMC.1100068	1100068	0144 3285-03	CAP SCREW, PINION BEARING	14 Qty
	47	BMC.1106980	1106980 - 0812BH-H1G5	0144 3360-03	SCREW, CRANK	12 Qty
	48	BMC.1187048	1187048	3715 7449-00	PIPE PLUG MAGNETIC, POWER END	2 Qty
	49	BMC.1121511	1121511 - 08NHZGR5	0268 3108-00	HEX NUT, STUD	2 Qty
	50	BMC.1100243	1100243		WASHER, STUD	14 Qty
	51	BMC.1101176	1101176	3715 7396-00	O-RING	14 Qty
	52	BMC.1101242	1101242	3715 7375-00	BEARING CONE, CRANK	3 Qty

BMCL0918 Piston Pump

BMC DRILL

Image#	Item#	Bumeks#	Fmc BEAN#	Boart Longyear#	Description	Qty
	53	BMC.1177287	1177287	3715 7376-00	BEARING CUP, CRANK	2 Qty
	54	BMC.A5046	A5046	3715 7371-00	BUSHING, CONNECTING ROD	2 Qty
	55	BMC.18743	18743	3715 7370-00	CONNECTING ROD SCREW	3 Qty
	56	BMC.1105077	1105077 - BI-109-H	3715 7923-00	PLUG, FLUID CHAMBER	6 Qty
	57	BMC.1105105	1105105 - BI-109-K	3715 7924-00	PLUG, SUCUON	1 Qty
	58	BMC.3269460	3269460 - 1187039	3715 7452-00	BACK COVER PETCOCK	2 Qty
	59	BMC.1187577	1187577	3715 7298-00	KEY	1 Qty
	60	BMC.P501267	BI-109-A 1109973 P501267		PIPE PLUG, FLUID CHAMBER	1 Qty
	61	BMC.8061			WASHER, BLIND, FLUID CHAMBER	6 Qty
	KIT	BMC.5260661	5260661		PISTON CUP KIT ABRASIVE SERVICE XNBR FOR FMC BEAN L0918	6 Qty



BMC DRILL




This brochure contains general information and pictures about BUMEKS GEAR CO.LTD. and its products. They might be subject to change and modification. Bumeks Gear reserves the right to change specifications and design of its products without notice. While Bumeks Gear products are of high quality, they are not originals. Bumeks Gear doesn't have any affiliation to OEM companies and brands described in this brochure. All the OEM numbers and trademark names are used for reference purposes only and belong to their respective owners.



BUMEKS®

BMC DRILL

Büyükkayacık Osb Mah. 407 Nolu sk. No : 4 Selçuklu / Konya

 +90 505 039 45 67

 eng/esp : sales3@bumeks.com.tr

 +90 505 911 21 42

 русский : sales2@bumeks.com.tr



www.bumeks.com.tr



info@bmcd drill.com